

Engine guard

BMW F 800 R

Art.-Nr.:
502.937 00 01 black

Side cases

Top cases

Luggage frames

Lock it system

Softbags

Aluminium luggage

Leather luggage

Protection bars

Center stands

Chopper parts

Quad parts

Accessories

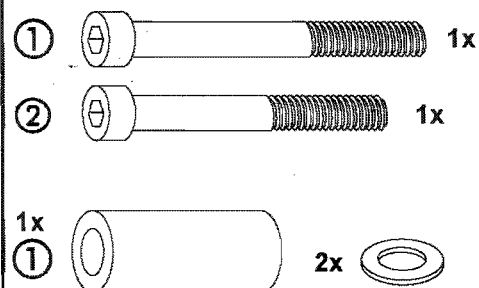


Assembling instructions

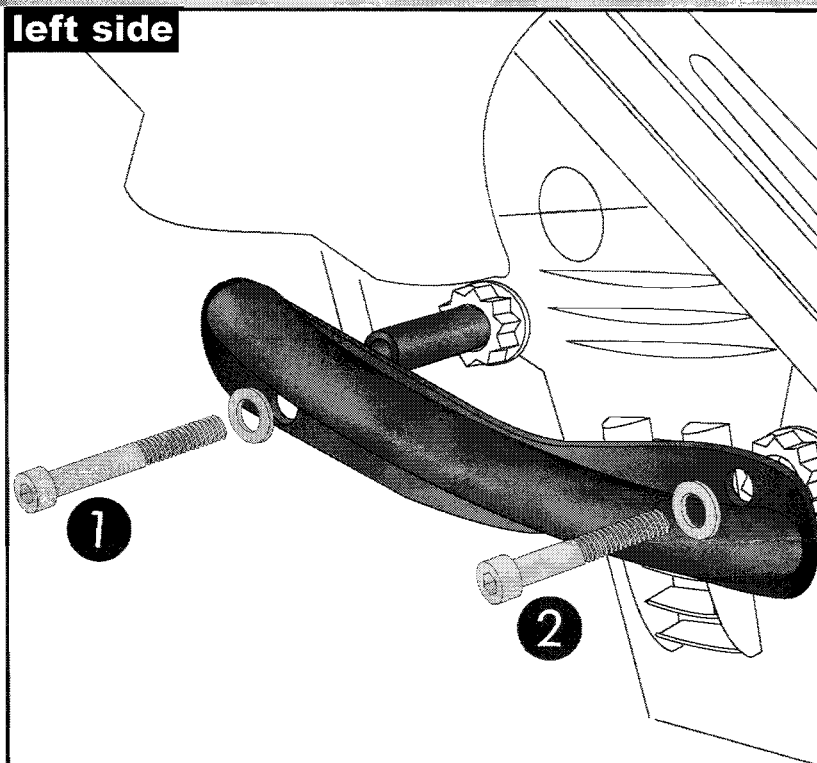
Fastening of the engine guard left:
at the two upper points of the engine suspension. Original screws are obsolete.

Front: ①
sandwich steel spacer $\varnothing 25 \times \varnothing 11 \times 58$
and fix it with allen screw M 10 x 130
and washer $\varnothing 10,4$.

Rear: ②
fix it with allen screw M 10 x 90
and washer $\varnothing 10,4$.



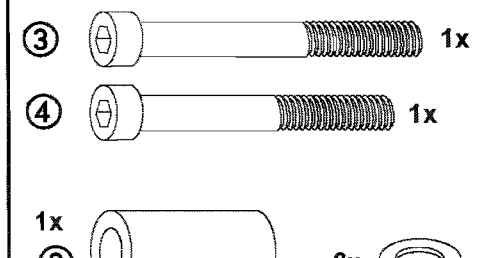
1 left side



Fastening of the engine guard right:
at the two upper points of the engine suspension. Original screws are obsolete.

Front: ③
sandwich steel spacer $\varnothing 25 \times \varnothing 11 \times 68$
and fix it with allen screw M 10 x 140
and washer $\varnothing 10,4$.

Rear: ④
fix it with allen screw M 10 x 90
and washer $\varnothing 10,4$.



2 right side

