



Dear Customer, thank you for your trust and for purchasing this Wunderlich product.

This installation guide will assist you in the safe and proper installation of your product.

Important Note

Please read this guide completely before starting the installation.

Support

If you have any questions during the installation, please contact our support before beginning the work:

Tel.: +49 2641-3082-240

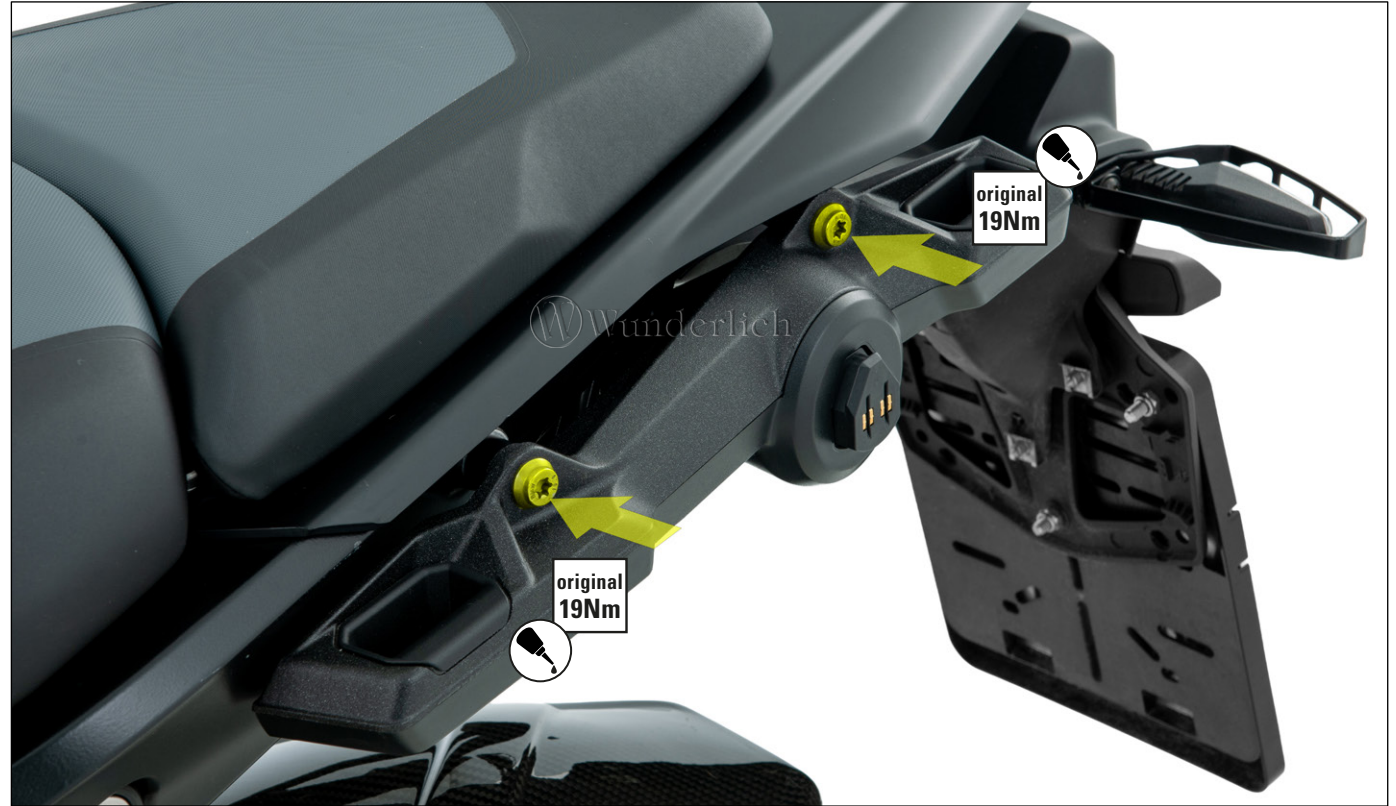
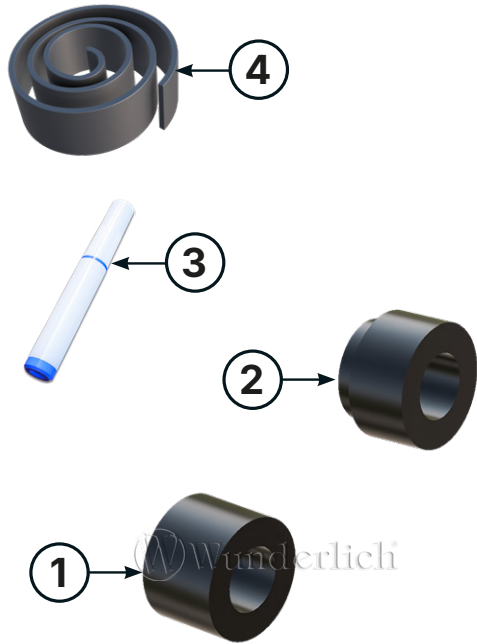
E-Mail: support@wunderlich.de

We wish you much enjoyment with your Wunderlich product and always a safe ride.







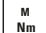

Your #TeamWunderlich

#13615-102

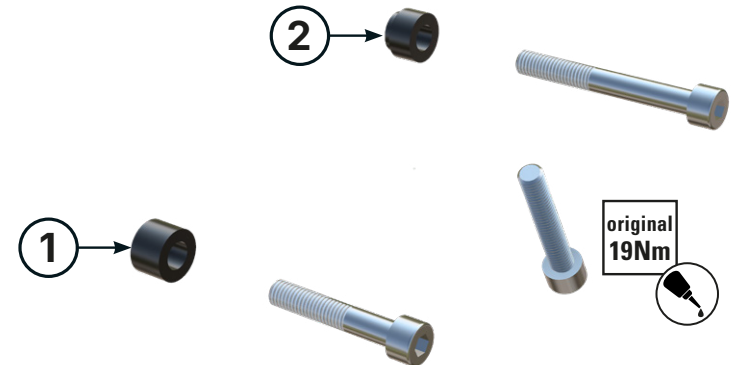
Mounting kit

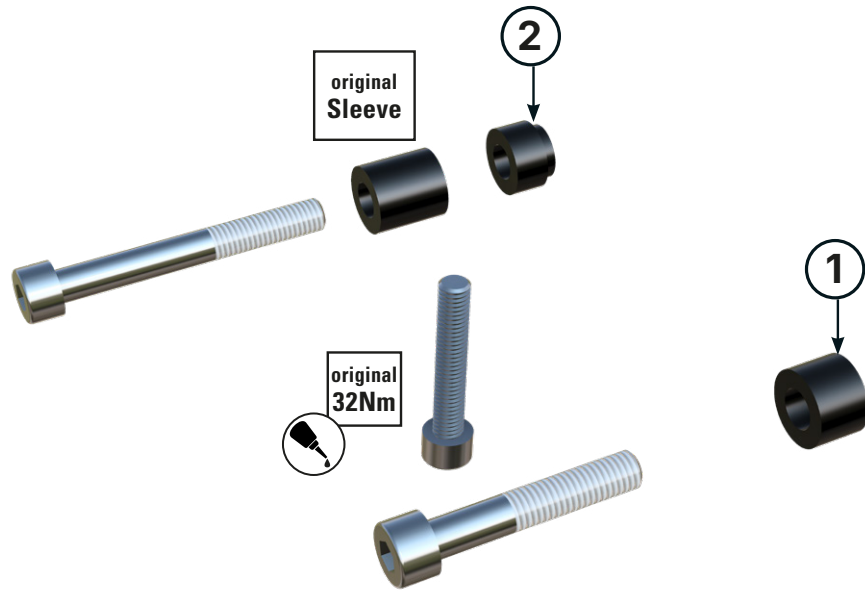


Cover the contact areas of the rear mudguard with foam rubber!

- Legend**
-  Assembly tip
 -  Warning
 -  Magnification
 -  Cleaner
 -  Screw
 -  Threadlocker
 -  Torque
 -  Assembly paste

#	Component	Quantity
The colours of the illustrations are for guidance only.		
1	Sleeve ØD 17.0 - Ød 9.0 - h 11.5 mm	2
2	Stepped sleeve ØD1 17.0 - ØD2 13.5 - Ød 9.0 - h 11.5 mm	2
3	Threadlocker	1
4	Foam rubber	1





Cover the contact areas of the rear mudguard with foam rubber!