



#15300-000



Handlebar riser

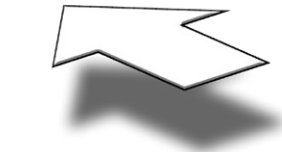
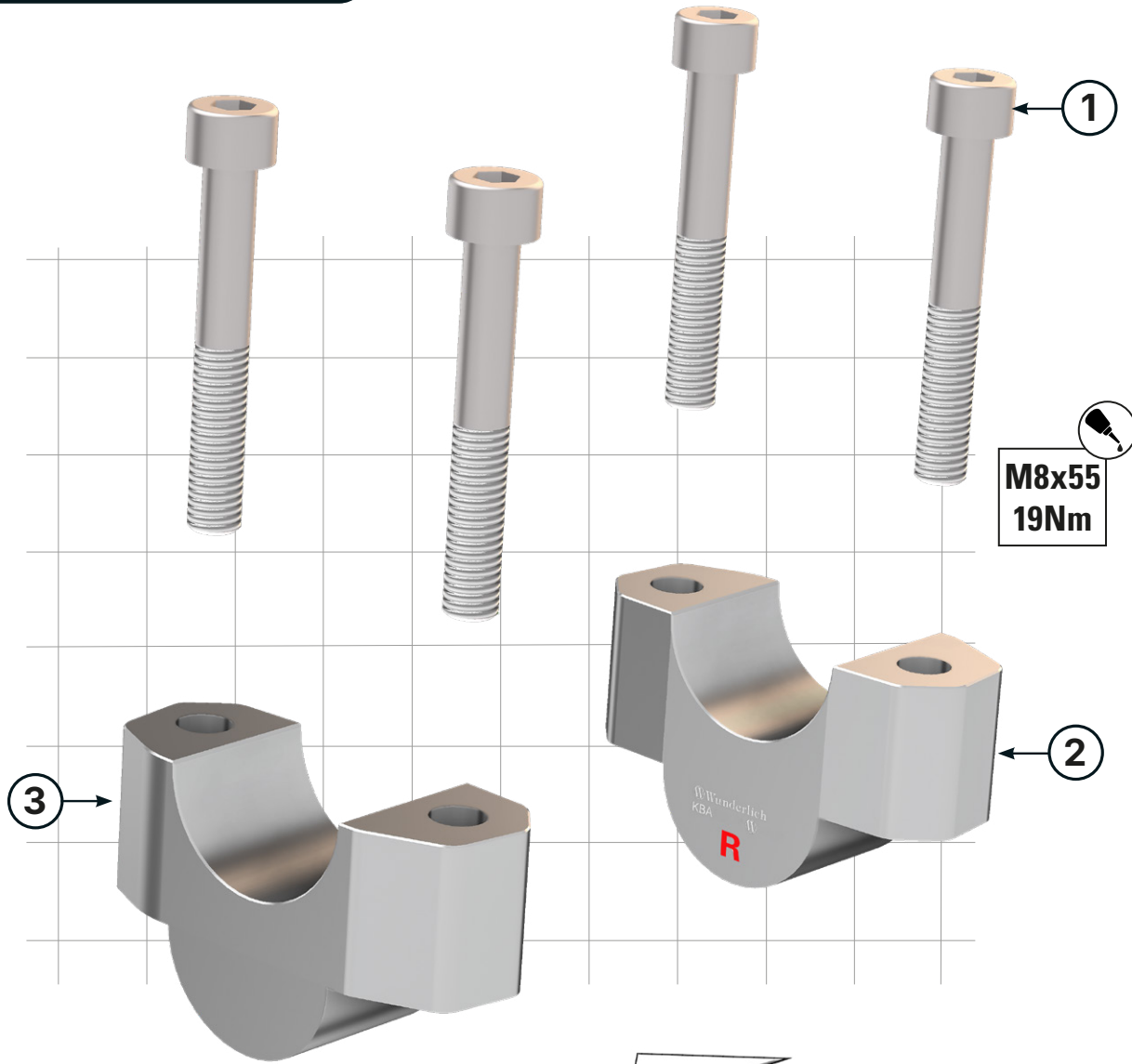

 Management System
 Verifiziert gemäß genehmigungsrelevanter Anforderungen
 www.tuv.com
 ID 9000012000




5

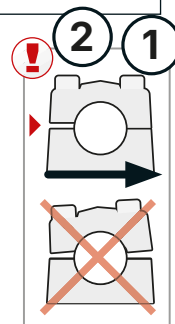
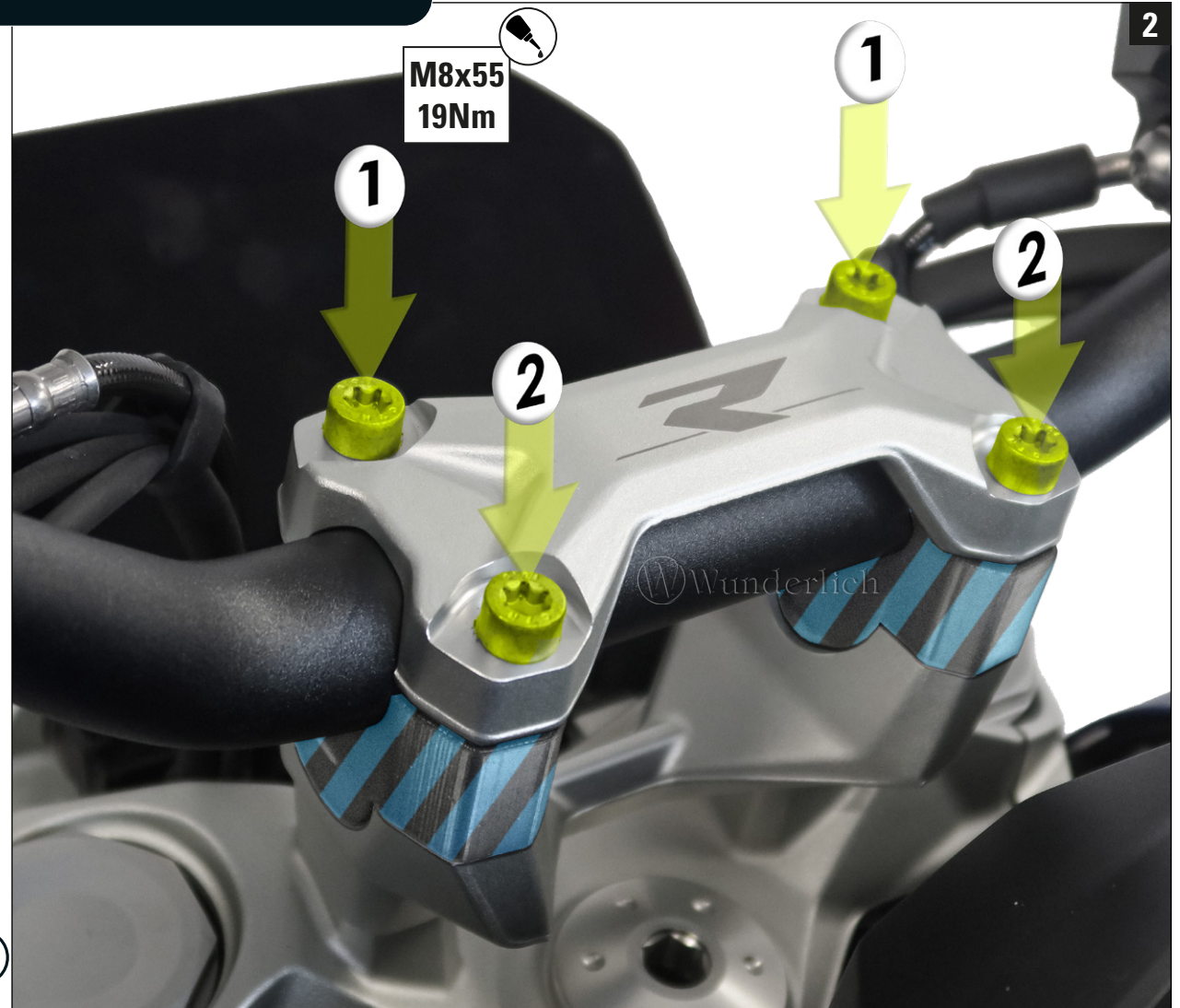
- Legend**
- Assembly tip
 - Caution
 - Enlargement
 - Cleaner
 - Screw
 - Screw lock
 - Torque
 - Assembly paste

#	Component	Quantity	
The colours of the illustrations are for illustration purposes only.			
1	Cylindrical screw M8x55	912ZN	4
2	Handlebar riser (right side)		1
3	Handlebar riser (left side)		1
4	Screw lock		1





Pay attention to the adjustment of the handlebars.
Marking 0°



Before assembly, protect the fairing with a tank protection cover.
Dismantle the handlebars and lay them back.
Tighten the screws in sequence 1 - 2. Check the steering for **freedom of movement!**