

# VARIOKOFFER SET X-CASE X30

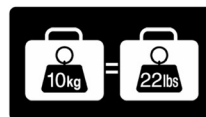
Variokoffer Set X-Case X30 | Set de valises Vario X-CASE X30 | Juego de maletas Vario X-CASE X30 | Set valigie Vario X-CASE X30

Art.-Nr: **30186-002**

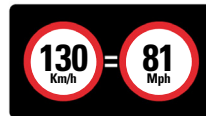


 **WARNING!**

**PFLEGE UND WARTUNG**  
**CARE AND MAINTENANCE**  
**ENTRETIEN ET MAINTENANCE**



MAXIMUM WEIGHT



MAXIMUM SPEED, CHECK LOCAL LAWS.



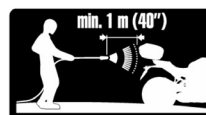
ALWAYS SECURE AND LOCK PRODUCTS.



ONLY USE RECOMMENDED CLEANING PRODUCTS.



CASES ARE NOT DESIGNED TO PROTECT FRAGILE OBJECTS.



1 M. MINIMUM DISTANCE WITH POWER WASHER.

# ACCESORIES OPTIONAL

Art.-Nr: **43747-302** INNENTASCHESET  
INNER POCKET SET  
PAIRE DE SACOCHES INTÉRIEURES

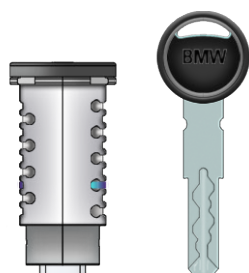


# INCLUDED

INNENNETZ  
INNER NET  
FILET INTÉRIEUR



Art.-Nr: **30164-200** CODIERBARE SCHLÖSSER  
CODED LOCKS  
SERRURES CODÉES

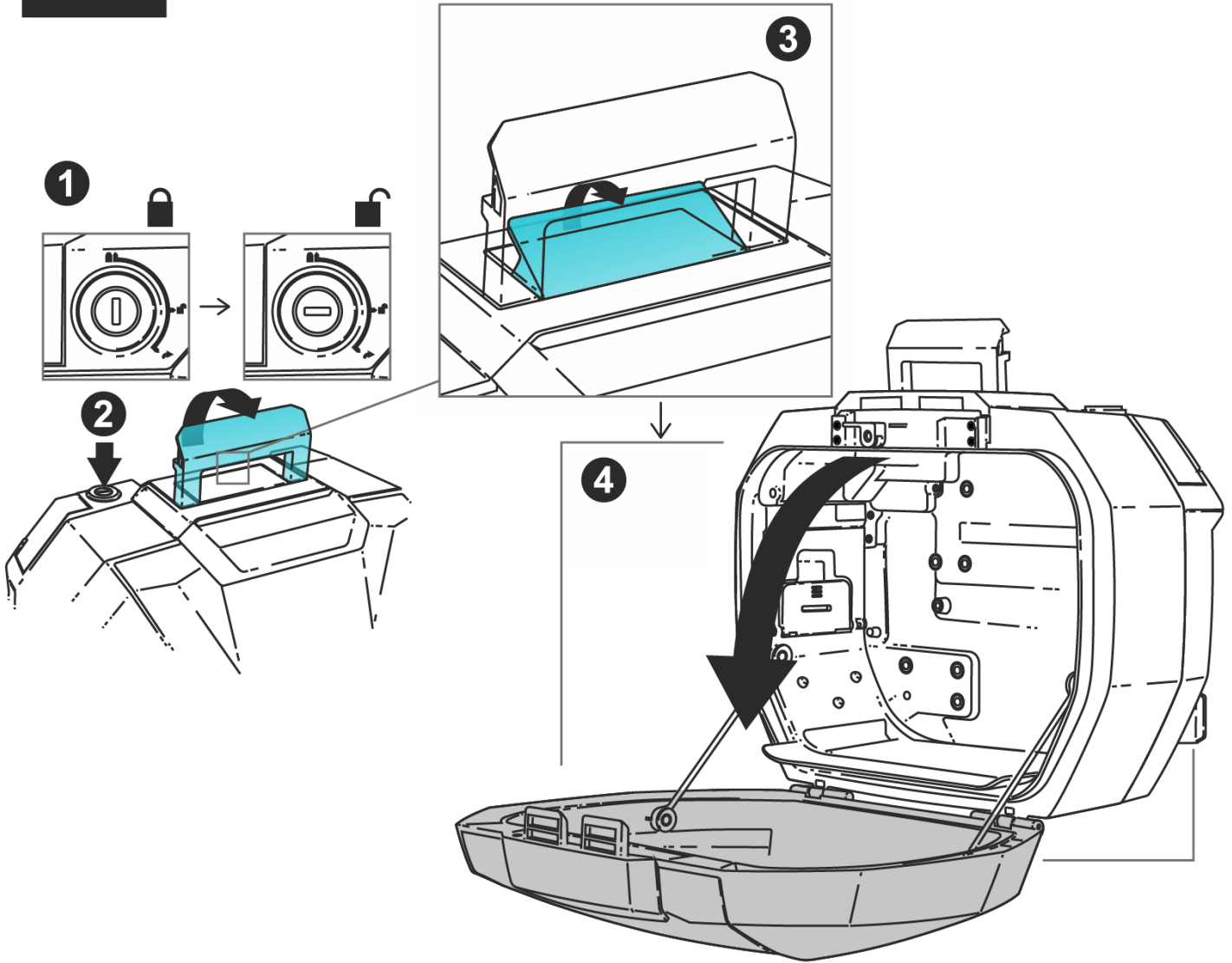


Art.-Nr: **30187-002** ADAPTER X-RACK

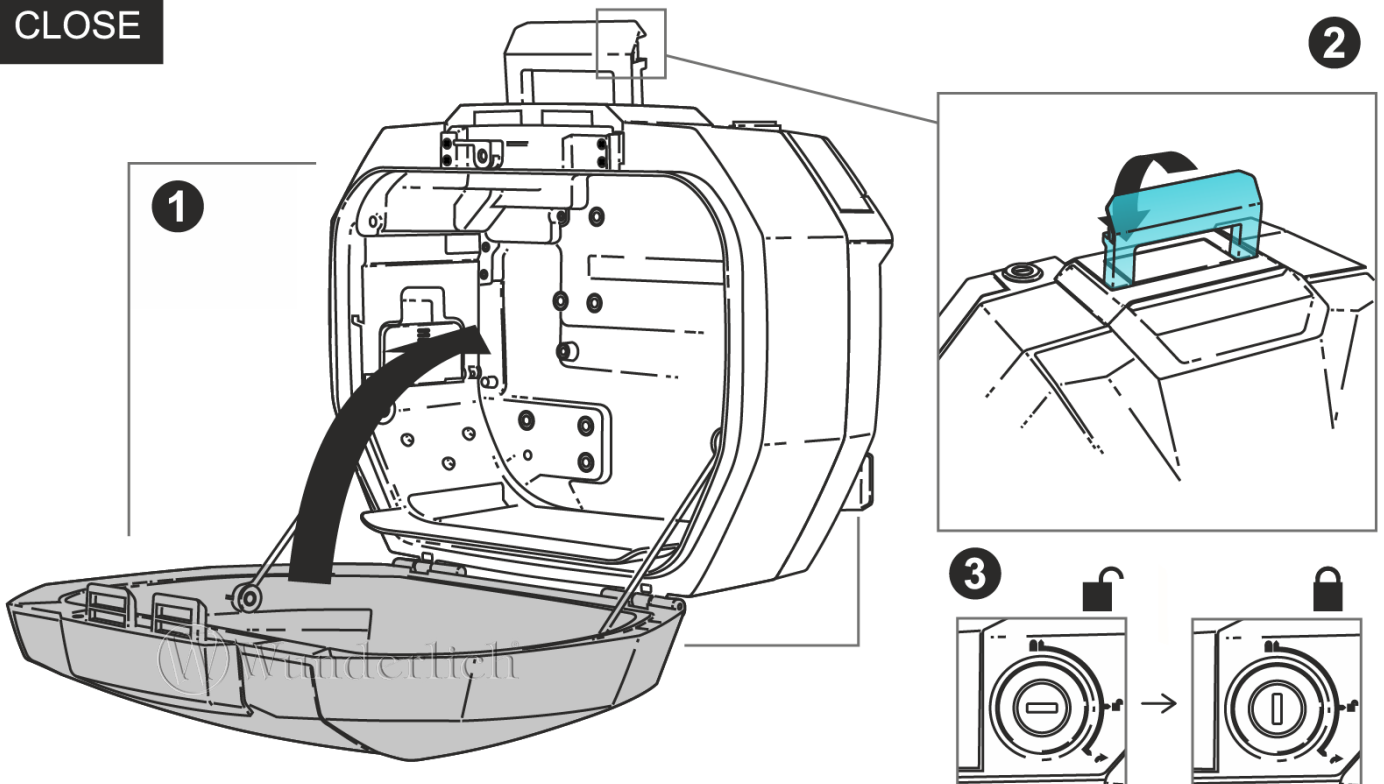




# OPEN

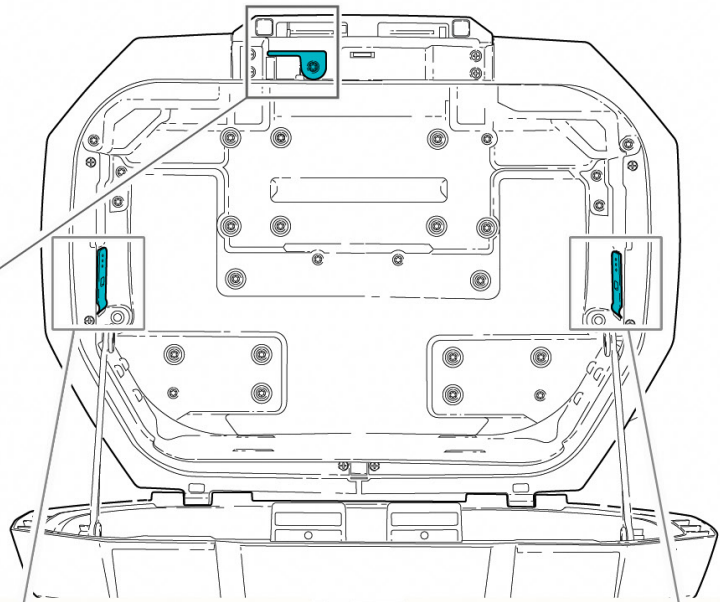
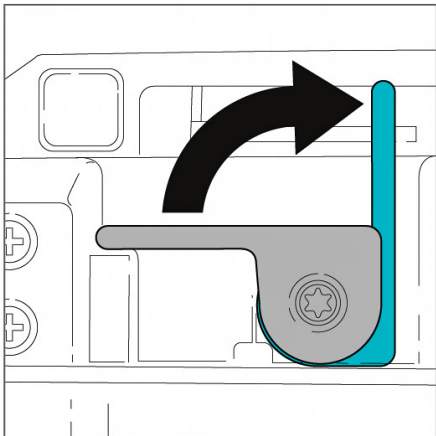


# CLOSE

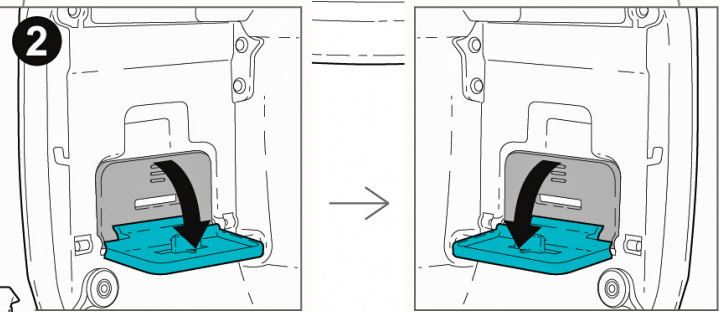


**VERGRÖßERN  
EXPAND  
ELARGIR**

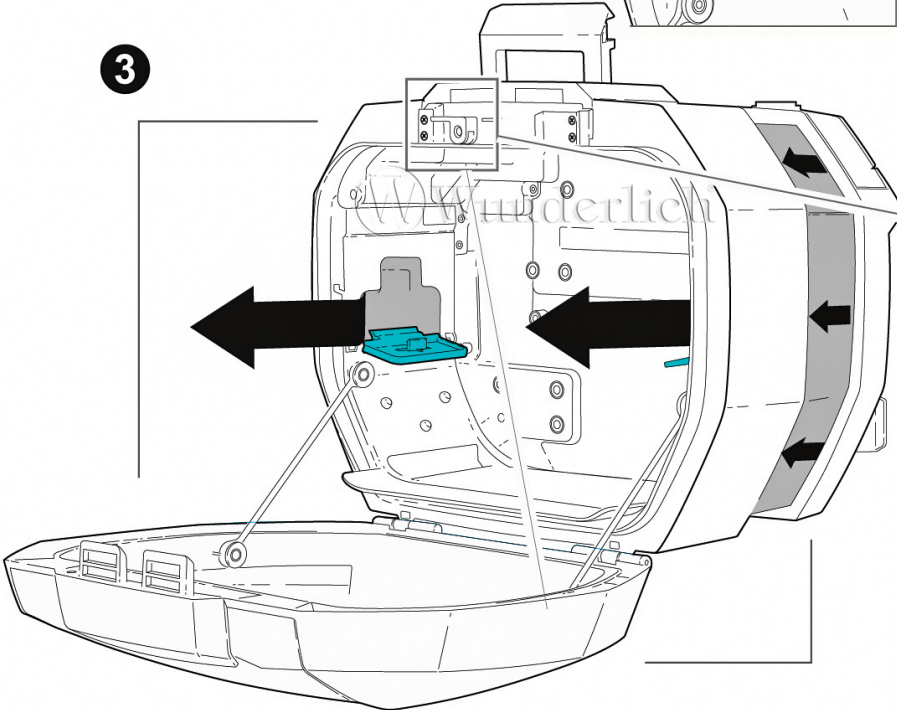
**1**



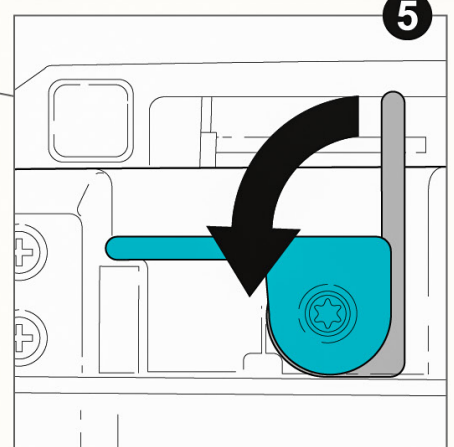
**2**



**3**

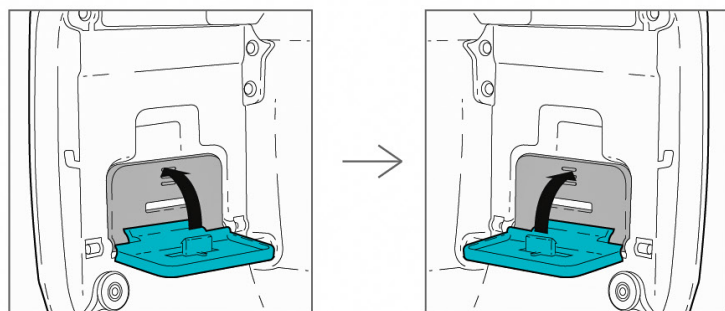


**5**



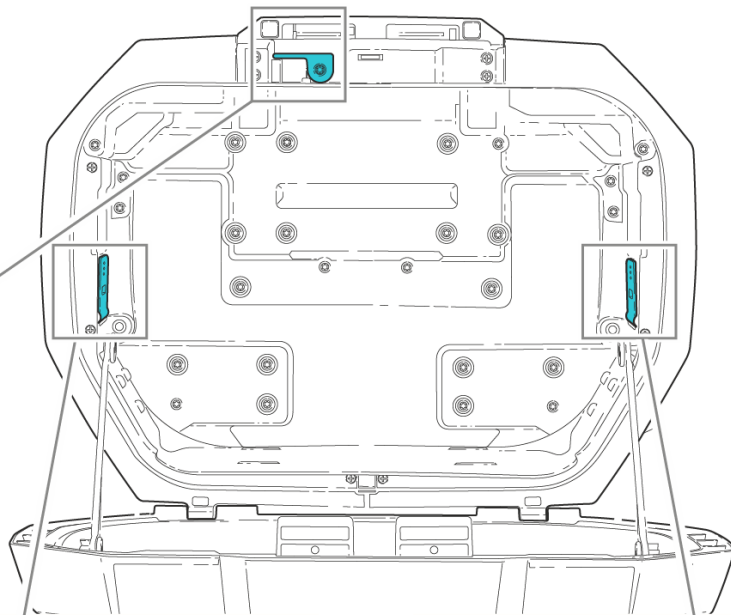
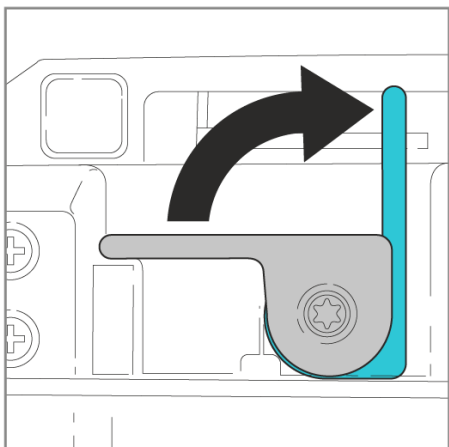
**WARNING!**

**4**

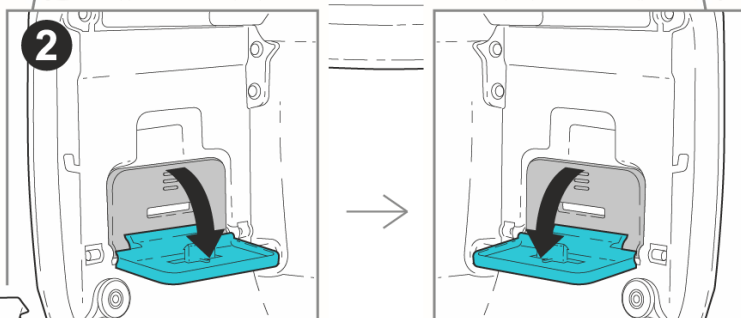


VERKLEINERN  
DOWNSIZE  
REDUIRE

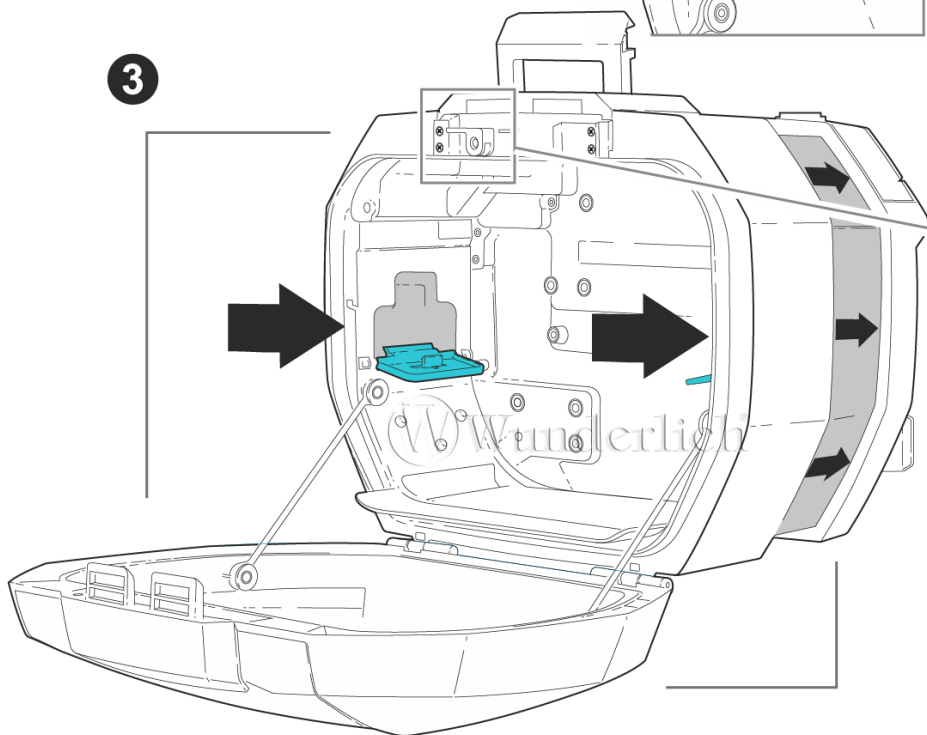
1



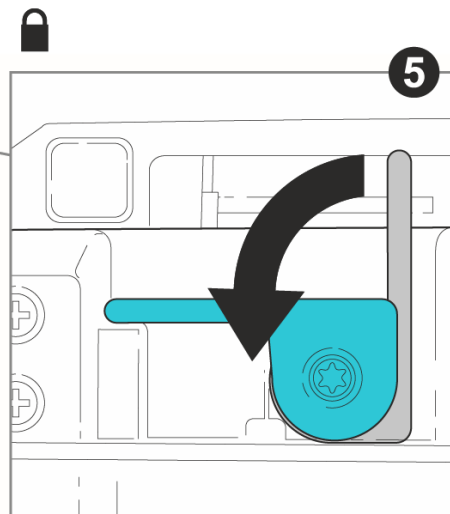
2



3

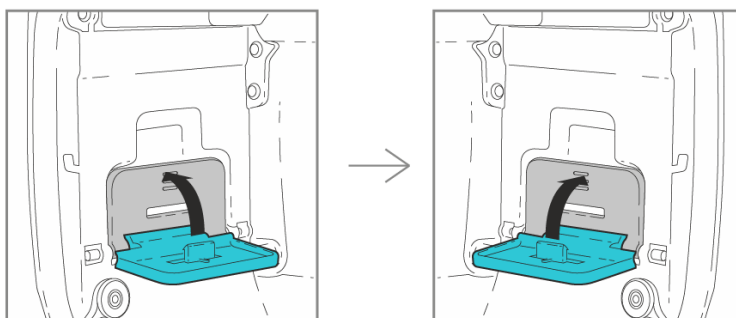


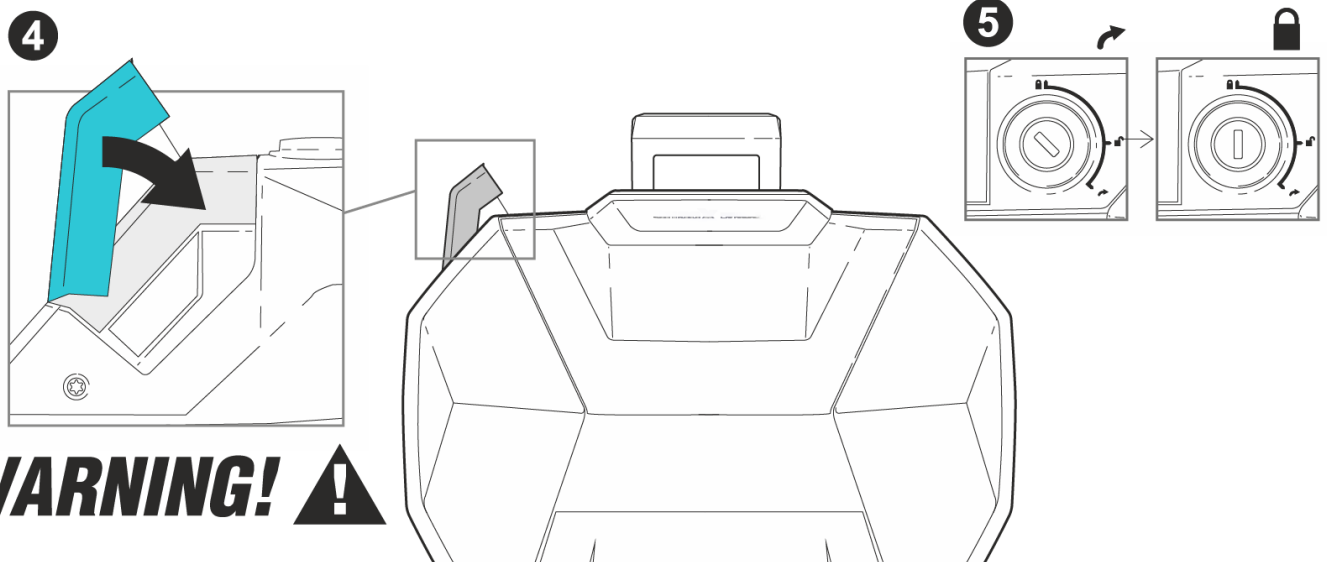
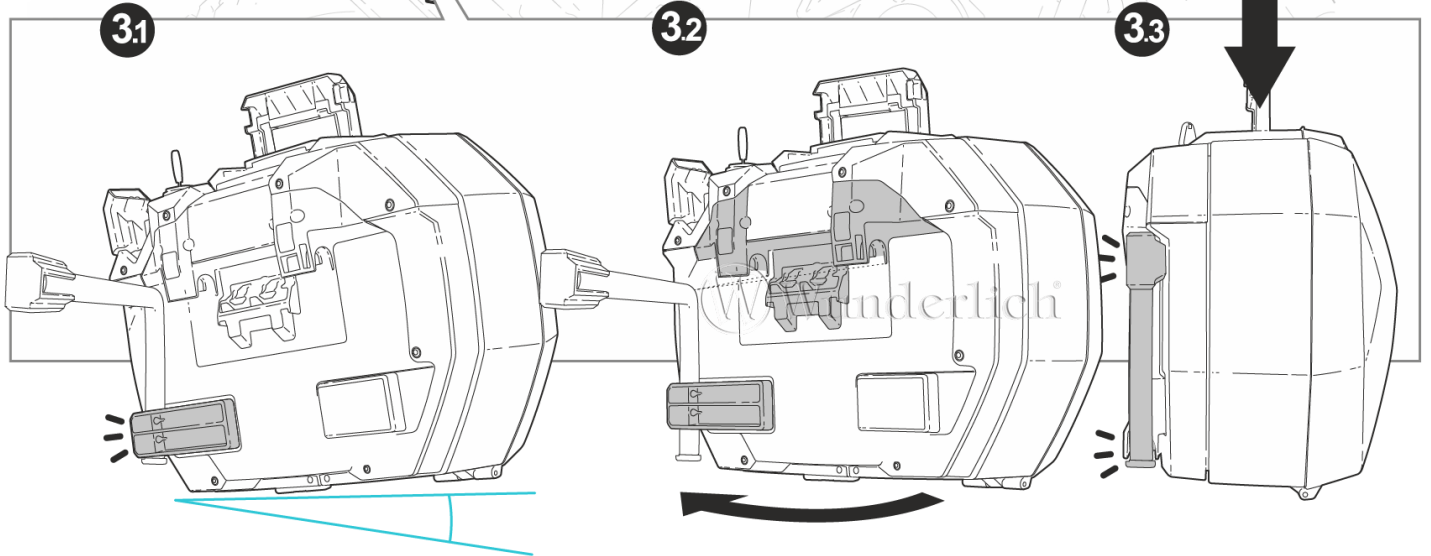
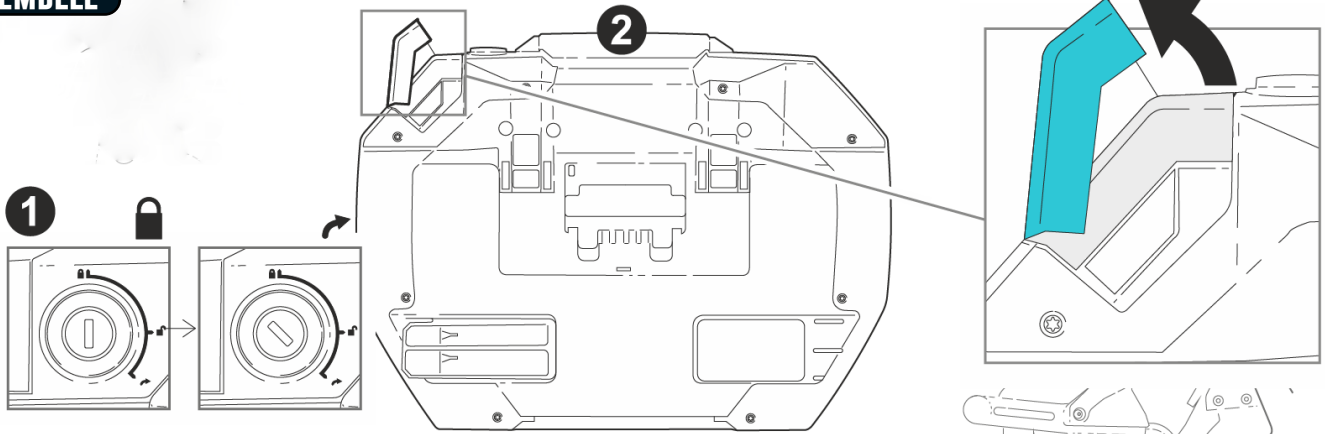
5



**WARNING!** 

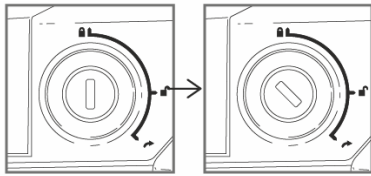
4



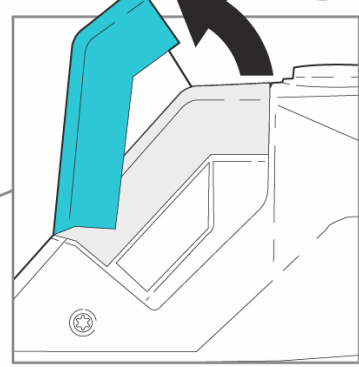


**WARNING!**

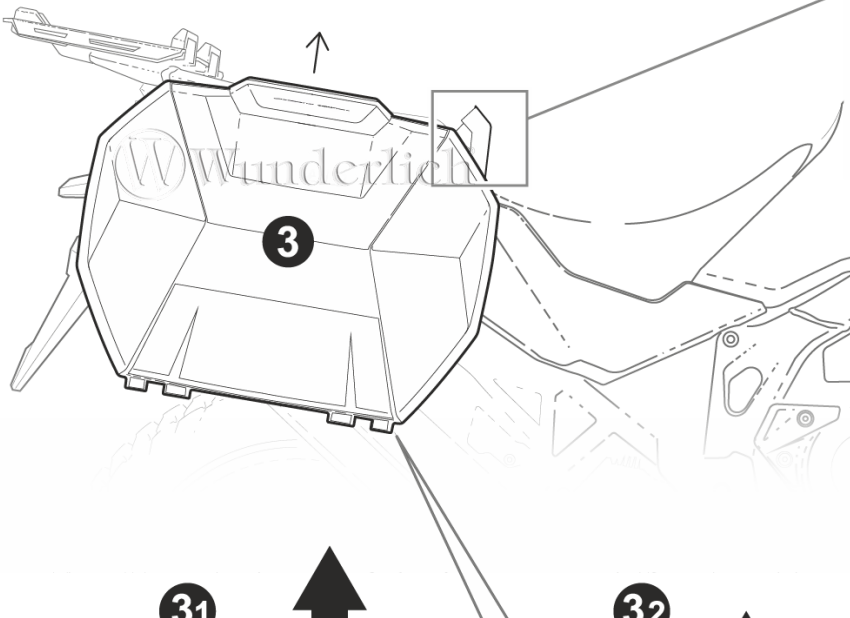
**1**



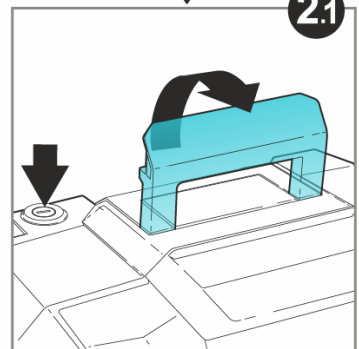
**2**



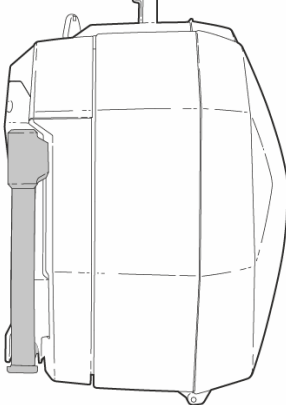
**3**



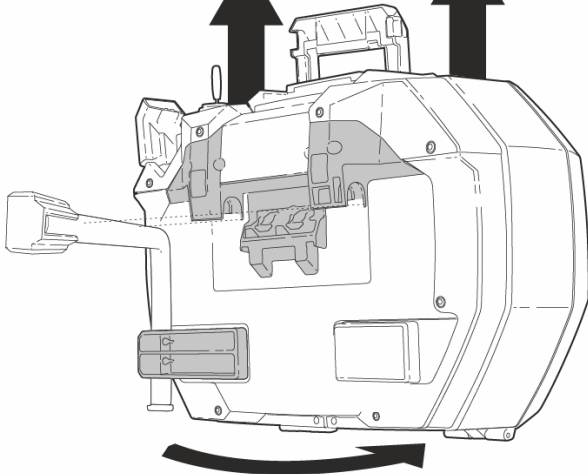
**2.1**



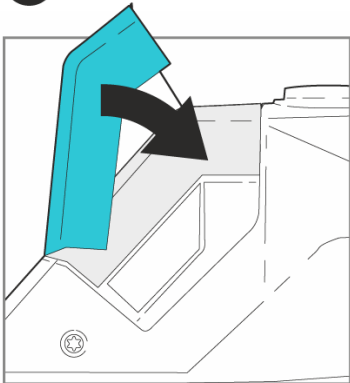
**3.1**



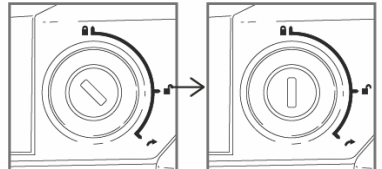
**3.2**



**4**



**5**



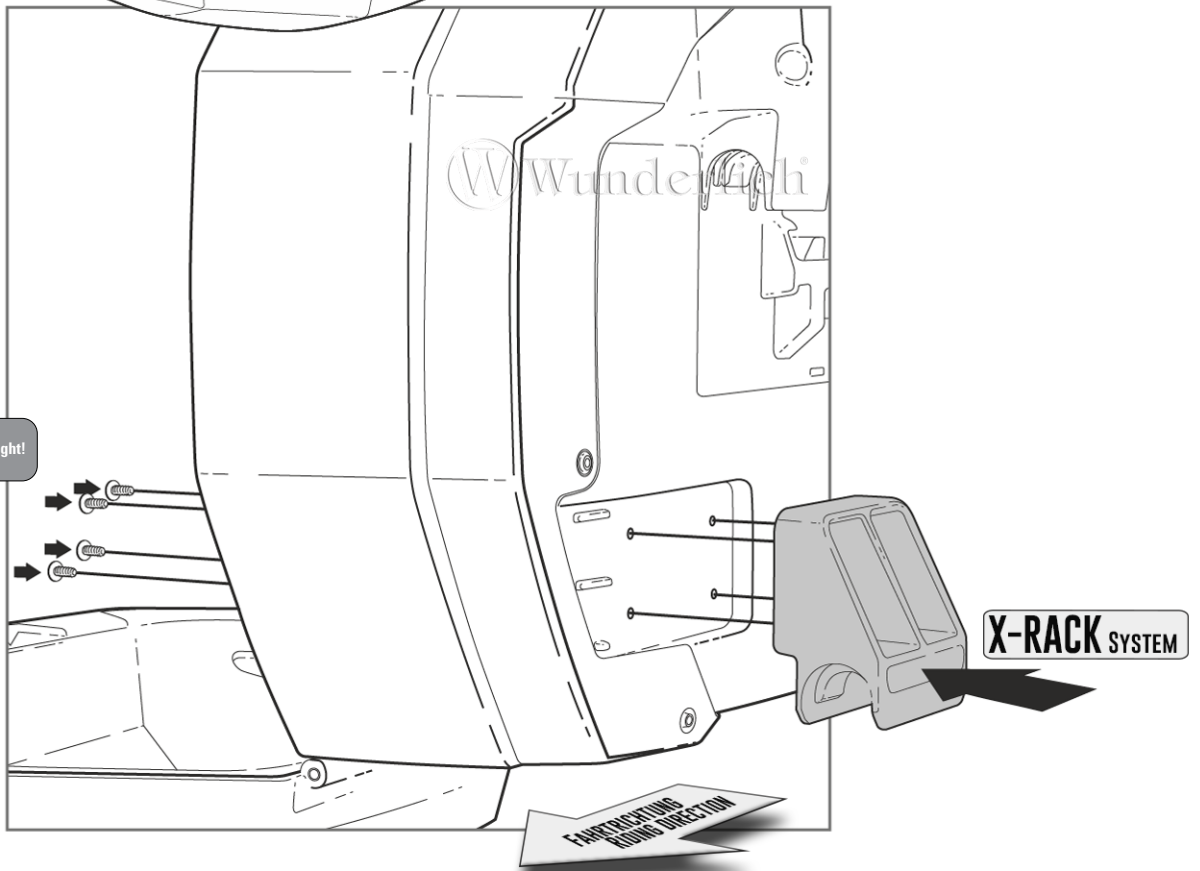
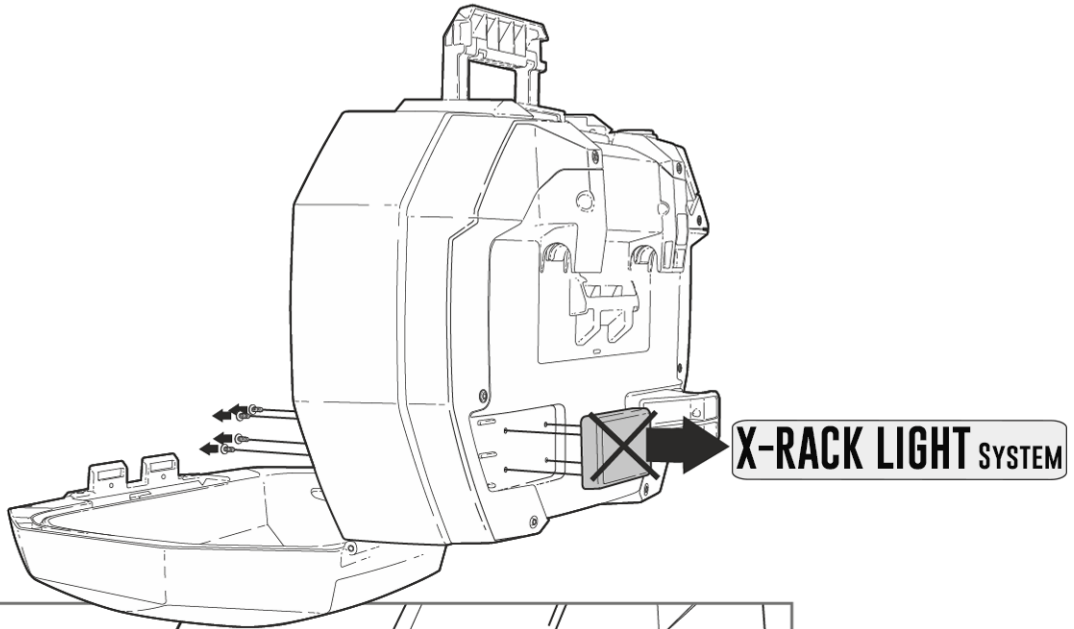
**WARNING!**

# ADAPTER VARIOKOFFER X30 AUF X-RACK

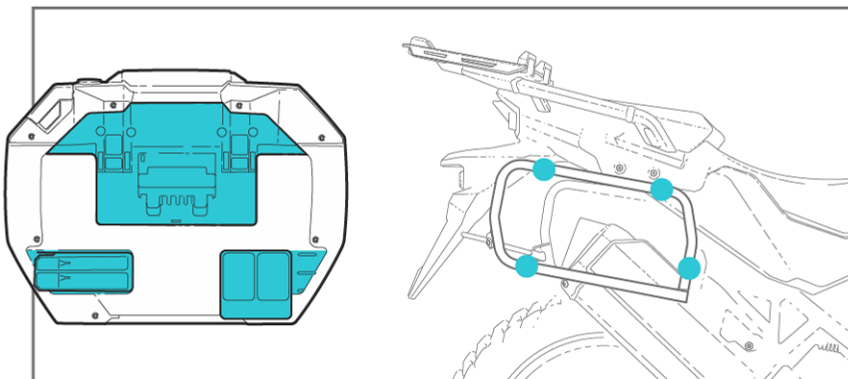
Adapter Variocase x30 to X-Rack | Adaptateur Variocase x30 à X-Rack | Adaptador Variocase x30 a X-Rack | Adattatore Variocase x30 a X-Rack

Art.-Nr: **30187-002**





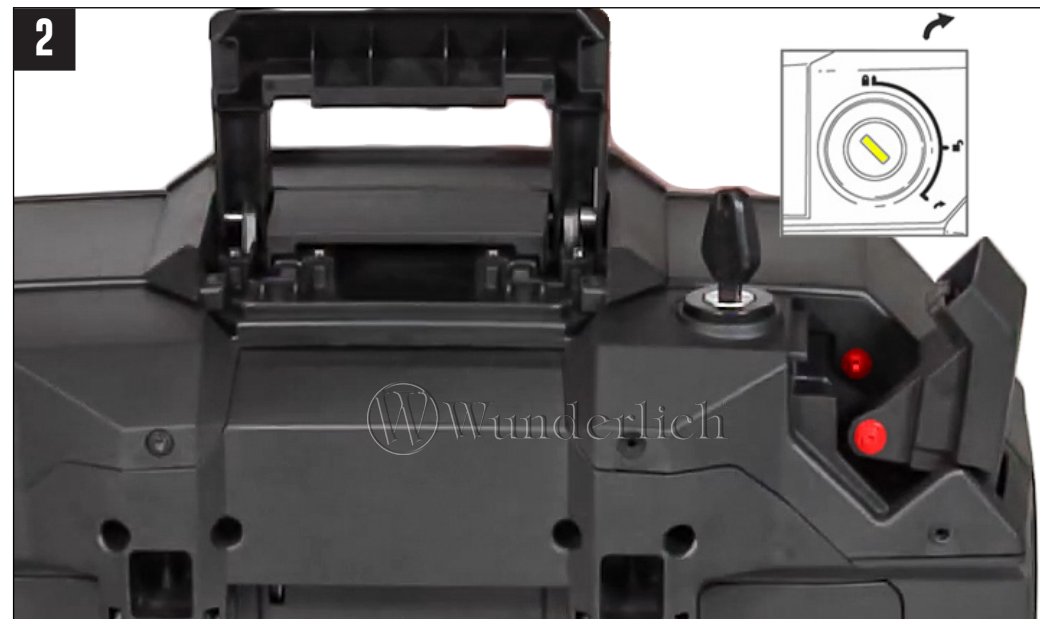
**X-RACK SYSTEM**



# SCHLIEßZYLINDER IN X-CASE X30 EINBAUEN

Install the lock cylinder in X-Case X30 | Installer le cylindre de fermeture dans le X-Case x30 | Instalar cilindro de cierre en X-Case x30 | Installare il cilindro di chiusura in X-Case x30

Art.-Nr: 30164-200





**7**

Bitte codieren Sie erst das Schloss, bevor es eingebaut wird.  
 Please code the lock before installing it.  
 Veuillez coder la serrure avant de l'installer.

**SPERRPLATTE** stop plate / lap  
**SCHLIEßPLATTE** strike plate



