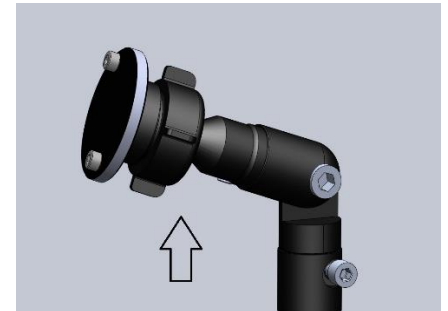
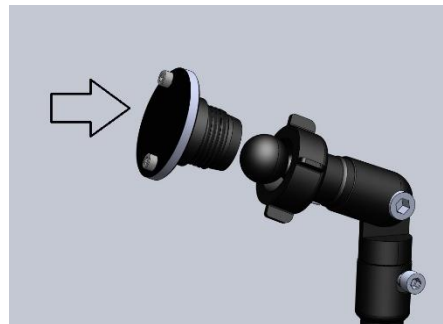
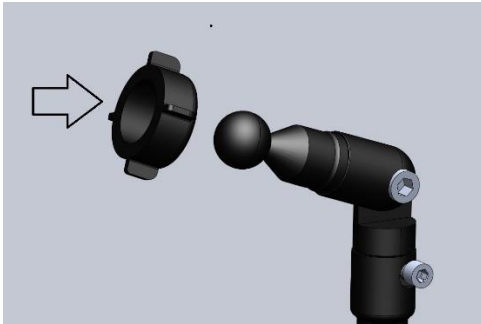
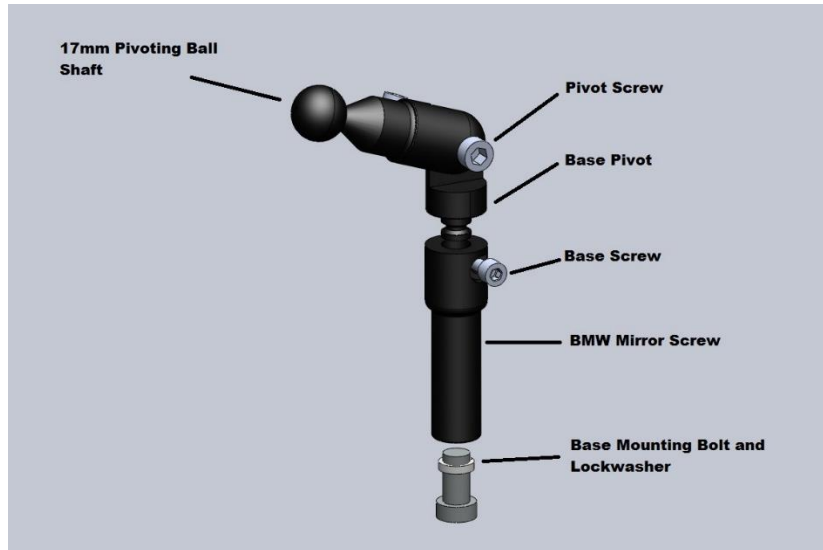


## 4G BMW Mirror Mount P/N 4-21004



### Instructions:

The mount is shipped assembled and ready to install. This mount system drops into one of the unused mirror mount holes on 2001 and later BMW handlebar control pods. Please follow the installation instructions carefully. The mount is fully assembled and ready to install.

**Step 1.** Remove the **Base Mounting Bolt** and lock washer from the **BMW Mirror Base** using the supplied 6mm hex key. Install the mount from the top into the unused mirror mounting hole in the handlebar control assembly and re-install the bolt and lock washer from below the controls.

**Step 2.** Adjust the pivot angle by adjusting the **Pivot Screw** and adjust the rotation as needed by adjusting the **Base Screw**. To remove the entire upper section of the mount. Remove the **Base Screw** and lift straight out.

**Step 3.** The mount has a 17mm ball shaft. This allows any TechMount 4G accessory top to mount easily without tools. To add accessories. Simply slide the locking ring onto the shaft. Then pop the accessory top on and tighten the locking ring.

**Step 5.** With the mount secure, now install the device onto the top plate.

Note: The maximum weight of your mounted device should not exceed 2 lbs. (1 k). Remember to snug all fasteners prior to riding.

## **MIRROR MOUNT KIT Part # 4-21004 (Replaces 3-21004)**

### **Tool Kit Includes:**

**1 5/32" hex key**

**1 6mm Hex Key**

### **LIMITED WARRANTY AND DISCLAIMER**

High Gear Specialties, Inc. ("High Gear") warrants the TechMount (the "Mount"), as described and identified in the accompanying installation instructions, to be free from defects in material and workmanship for a period of one (1) year from purchase (the "Warranty Period"). All warranty claims by the customer shall be made to High Gear Specialties, Inc., 1123 Crown Park Cir., Winter Garden, FL 34787. Replacements shall not interrupt or prolong the term of this Warranty.

High Gear's obligation under this Warranty is limited, at its sole and exclusive option, to either the repair or replacement of the Mount where a defect has been claimed during the Warranty Period, and which is returned, freight prepaid, to High Gear at the address given above. Upon inspection by High Gear, the Mount or parts thereof which prove to be defective will be repaired or replaced at no charge.

THE WARRANTY SET FORTH ABOVE IS EXCLUSIVE AND NO OTHER WARRANTY, WHETHER WRITTEN OR ORAL, IS EXPRESSED OR IMPLIED. HIGH GEAR SPECIFICALLY DISCLAIMS THE IMPLIED WARRANTIES OF MERCHANTABILITY AND FITNESS FOR A PARTICULAR PURPOSE.

The warranties set forth herein apply only to the original customer and are conditional upon the customer giving prompt notice to High Gear of any discovered defects during the Warranty Period. High Gear shall not be responsible for any other defects or damage, including, but not limited to, any defects or damage caused by or resulting from: (a) alterations to the Mount by anyone other than High Gear; (b) accident; (c) damage due to an intentional or negligent act of a third party; (d) abuse or negligence; (e) wear and tear.; (f) mishandling; (g) failure to use the Mount in a safe and reasonable manner, or (h) force majeure. If the Mount, in the judgment of High Gear, shows evidence of having been altered, modified or repaired without the authorization of High Gear, the warranties set forth herein shall not apply.

High Gear's cumulative liability for damages of any kind whatsoever arising out of the use or possession of the Mount, regardless of the form of action, whether in contract or tort, including negligence or strict liability, shall be limited to the purchase price of the Mount that caused the damages or that is the subject matter of, or is directly related, to the cause of action.

IN NO EVENT SHALL HIGH GEAR BE LIABLE FOR INDIRECT, SPECIAL, INCIDENTAL, CONTINGENT OR CONSEQUENTIAL DAMAGES ARISING OUT OF THE USE OR POSSESSION OF THE MOUNT, WHETHER OR NOT HIGH GEAR HAS RECEIVED NOTICE OF THE POSSIBILITY OR CERTAINTY OR SUCH DAMAGES OR LOSSES.

# 25575 v1

### **WARNING**

The mount which you have just purchased is intended for the convenient transport of electronic equipment and other portable items on your motorcycle. Improper installation or use of the mount can potentially result in serious injury or death. We strongly recommend that you closely follow the accompanying installation instructions and employ good judgment in your use of the mount. Do not allow yourself to become distracted by whatever equipment or other item is secured by the mount when you are riding. Always wear a helmet, proper eyewear and protective clothing when riding, and never ride when under the influence of alcohol or drugs.

# 25584 v1