

# VARIOKOFFER SET X-CASE X30 CARBONOPTIK

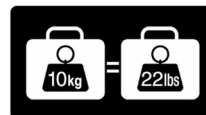
Variokoffer Set X-Case X30 | Set de valises Vario X-CASE X30 | Juego de maletas Vario X-CASE X30 | Set valigie Vario X-CASE X30

Art.-Nr: 30185-002

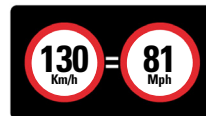


 **WARNING!**

**PFLEGE UND WARTUNG**  
**CARE AND MAINTENANCE**  
**ENTRETIEN ET MAINTENANCE**



MAXIMUM WEIGHT



MAXIMUM SPEED, CHECK LOCAL LAWS.



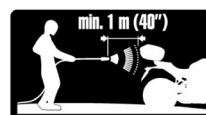
ALWAYS SECURE AND LOCK PRODUCTS.



ONLY USE RECOMMENDED CLEANING PRODUCTS.



CASES ARE NOT DESIGNED TO PROTECT FRAGILE OBJECTS.



1 M. MINIMUM DISTANCE WITH POWER WASHER.

# ACCESORIES OPTIONAL

Art.-Nr: **43747-302** INNENTASCHESET  
INNER POCKET SET  
PAIRE DE SACOCHES INTÉRIEURES

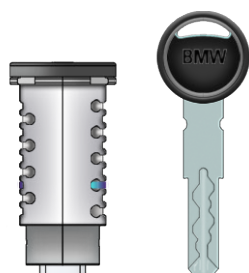


# INCLUDED

INNENNETZ  
INNER NET  
FILET INTÉRIEUR



Art.-Nr: **30164-200** CODIERBARE SCHLÖSSER  
CODED LOCKS  
SERRURES CODÉES

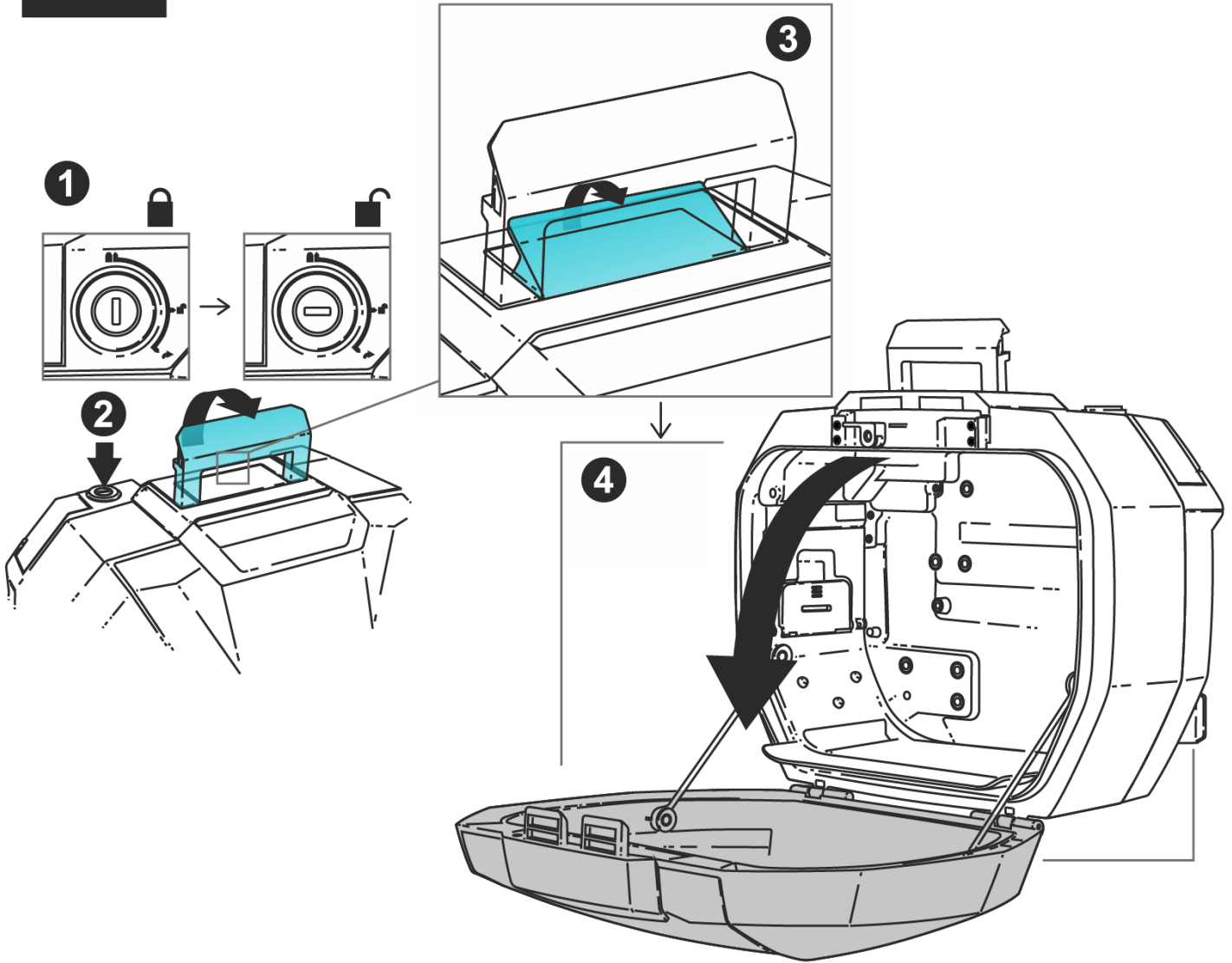


Art.-Nr: **30187-002** CODIERBARE SCHLÖSSER  
CODED LOCKS  
SERRURES CODÉES

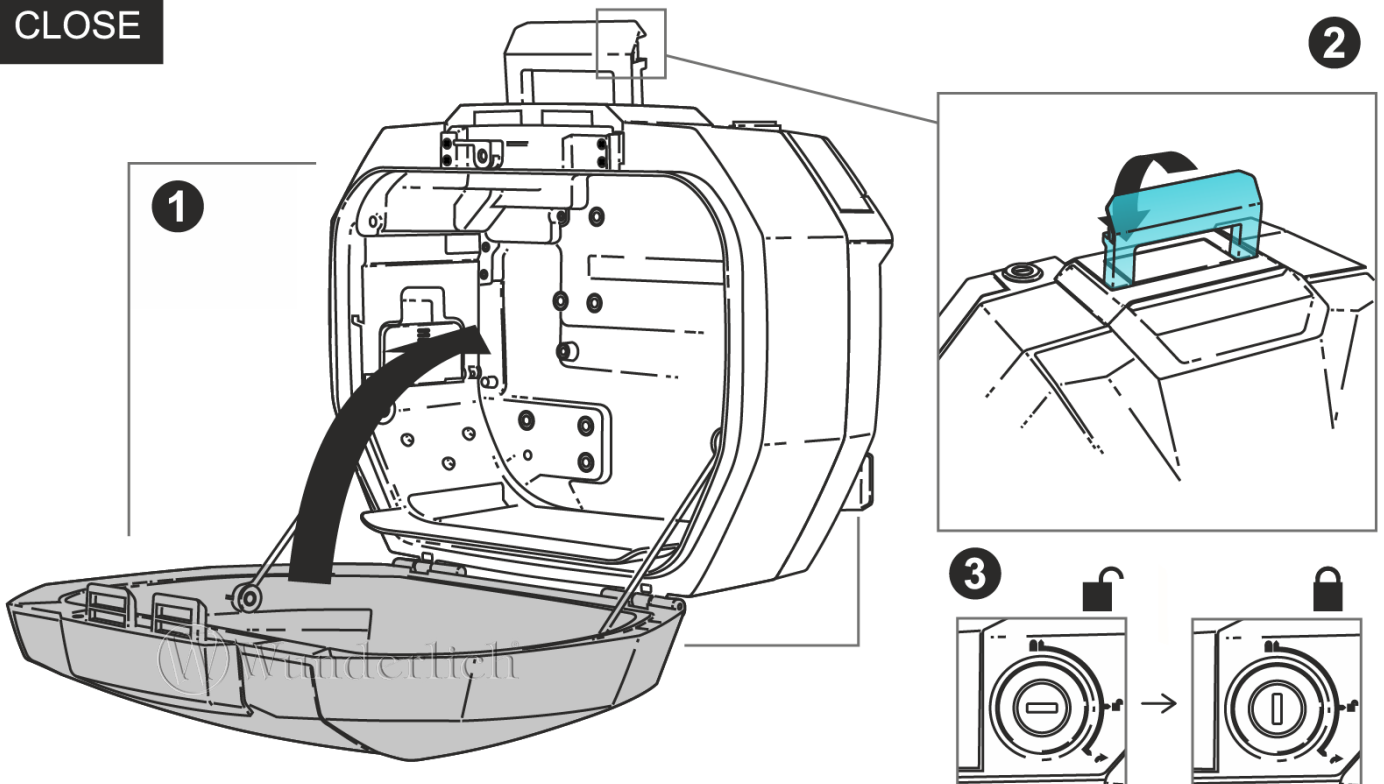




# OPEN

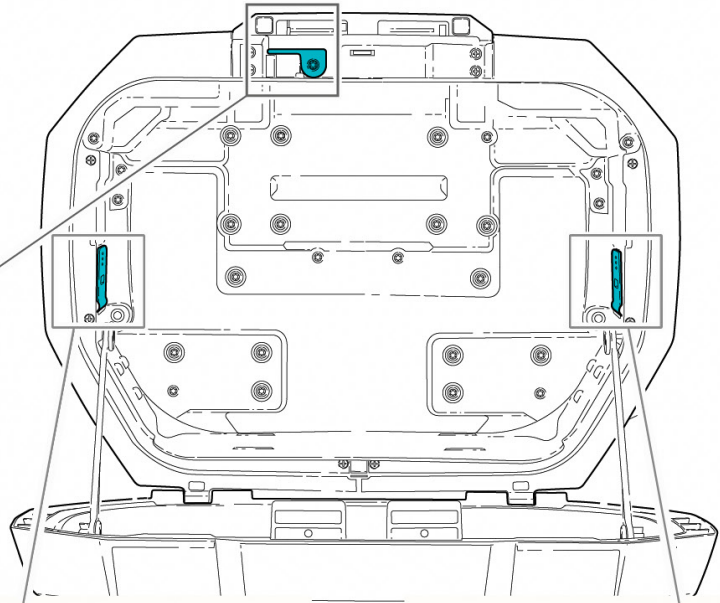
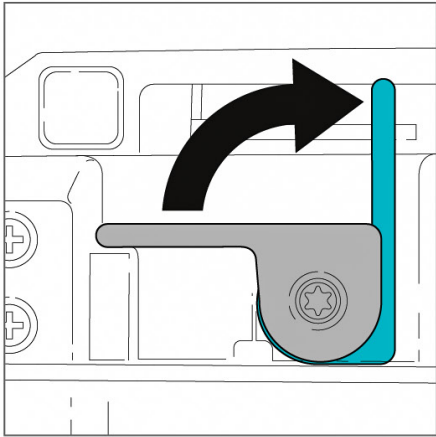


# CLOSE

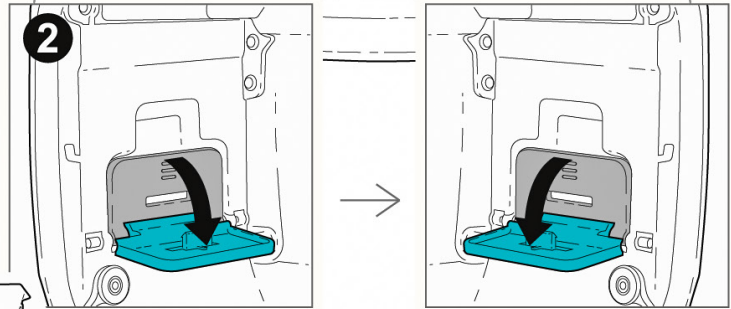


VERGRÖßERN  
EXPAND  
ÉLARGIR

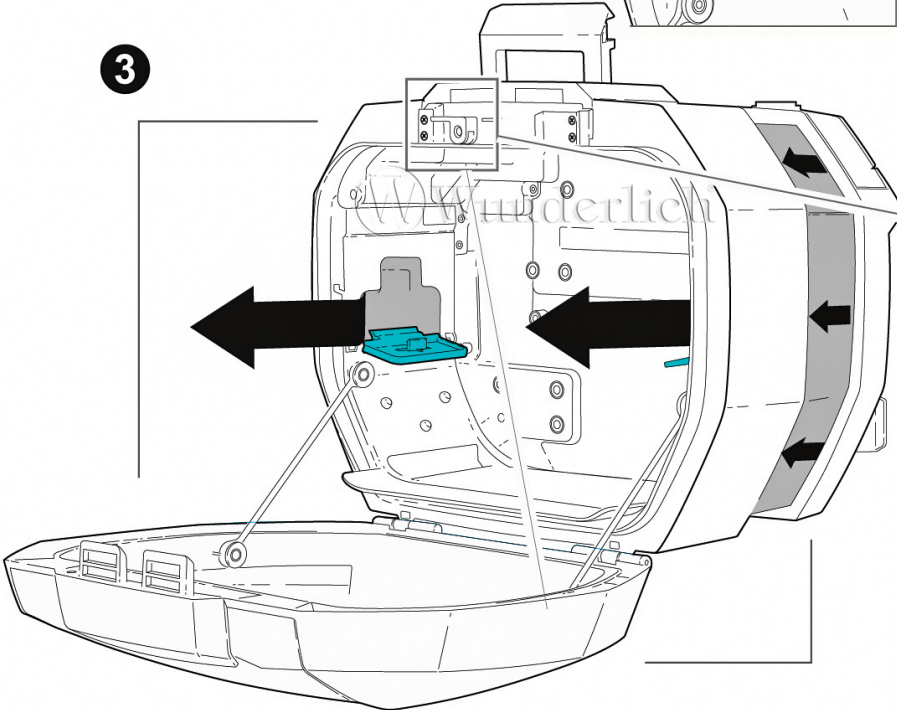
1



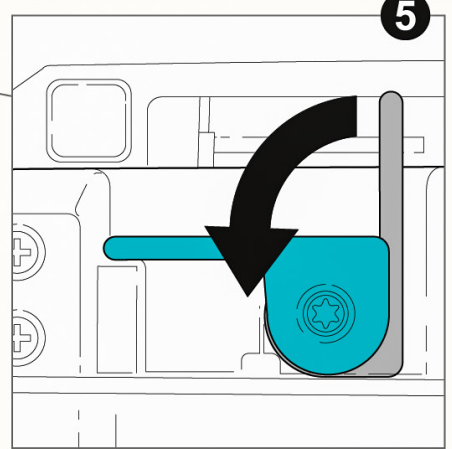
2



3

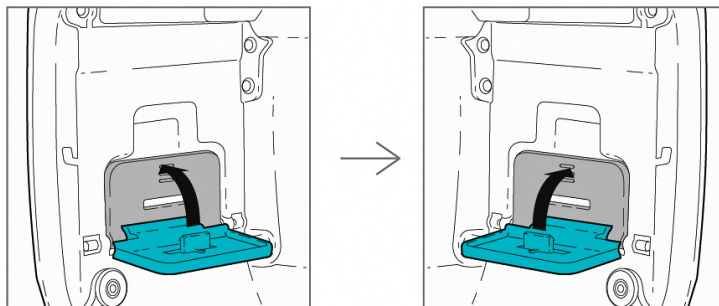


5



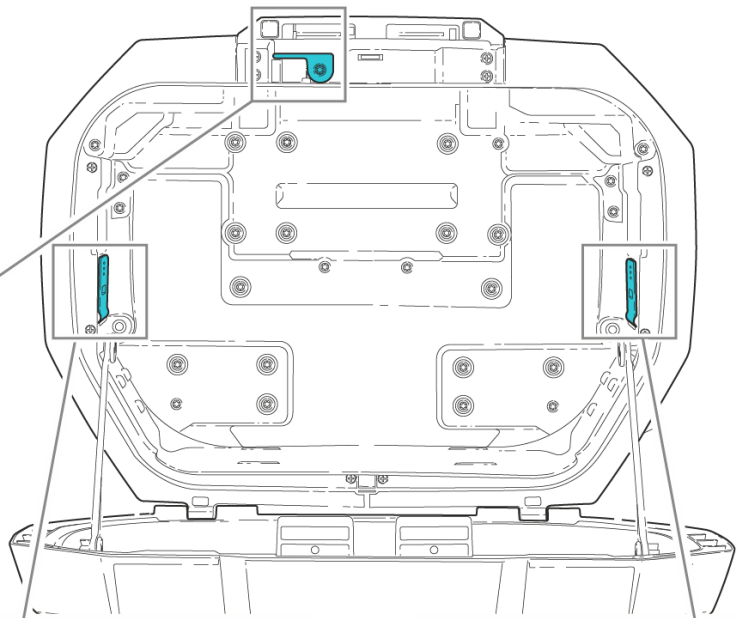
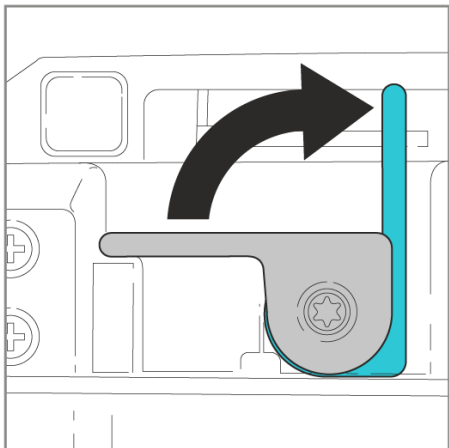
**WARNING!**

4

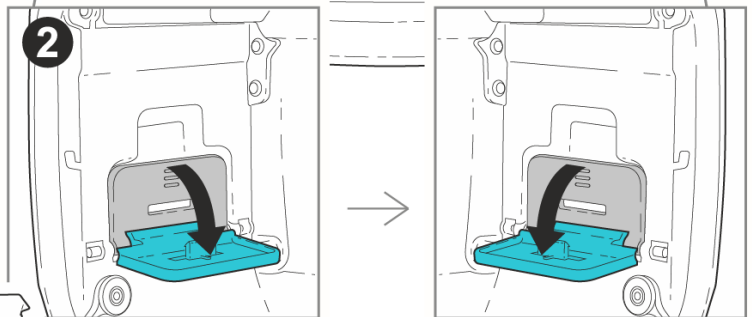


VERKLEINERN  
DOWNSIZE  
REDUIRE

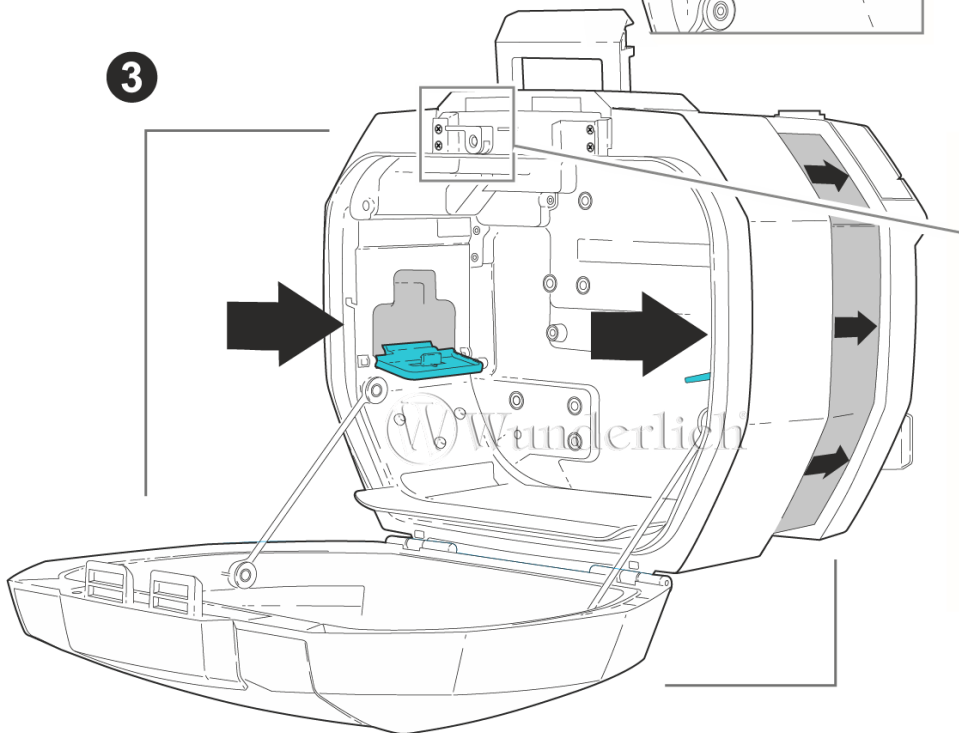
1



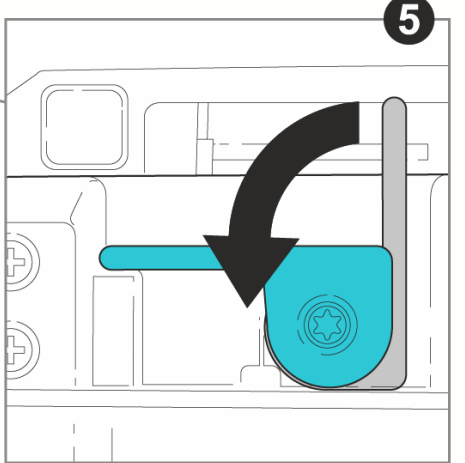
2



3

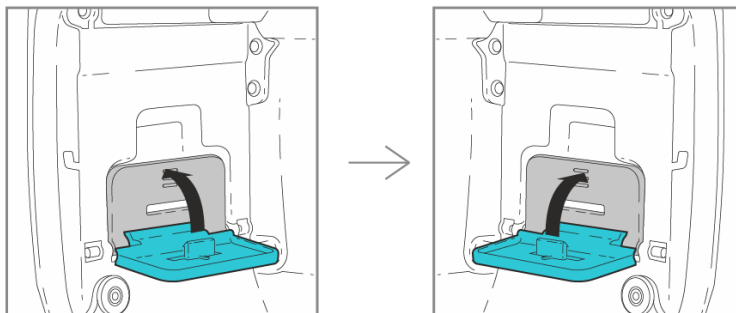


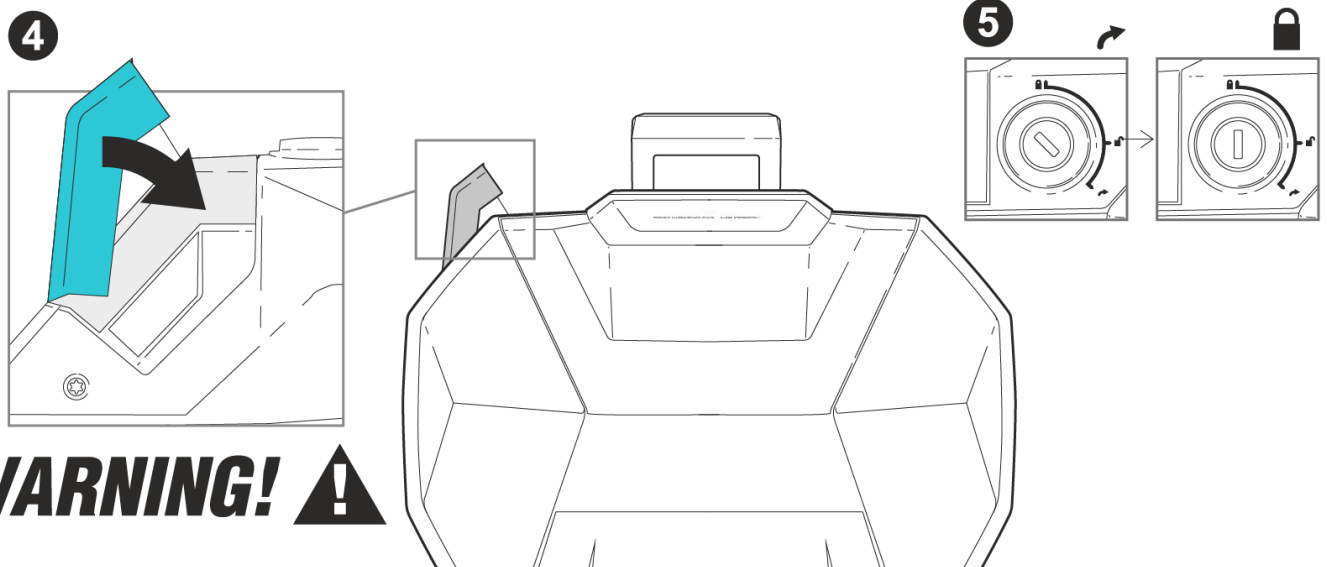
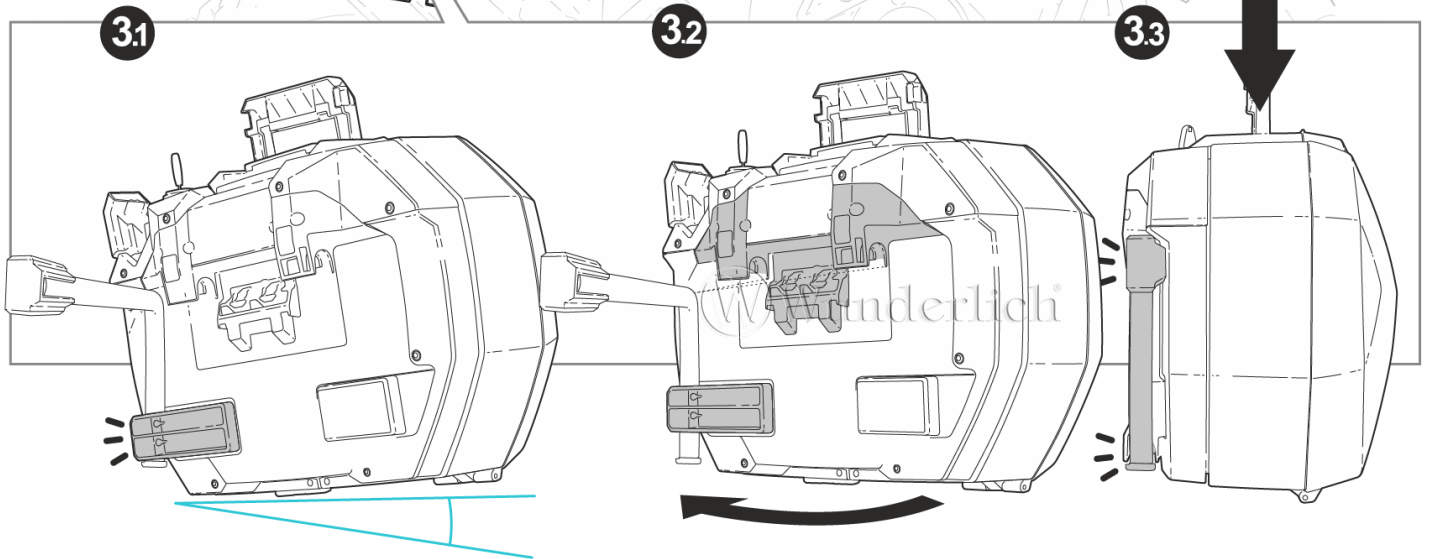
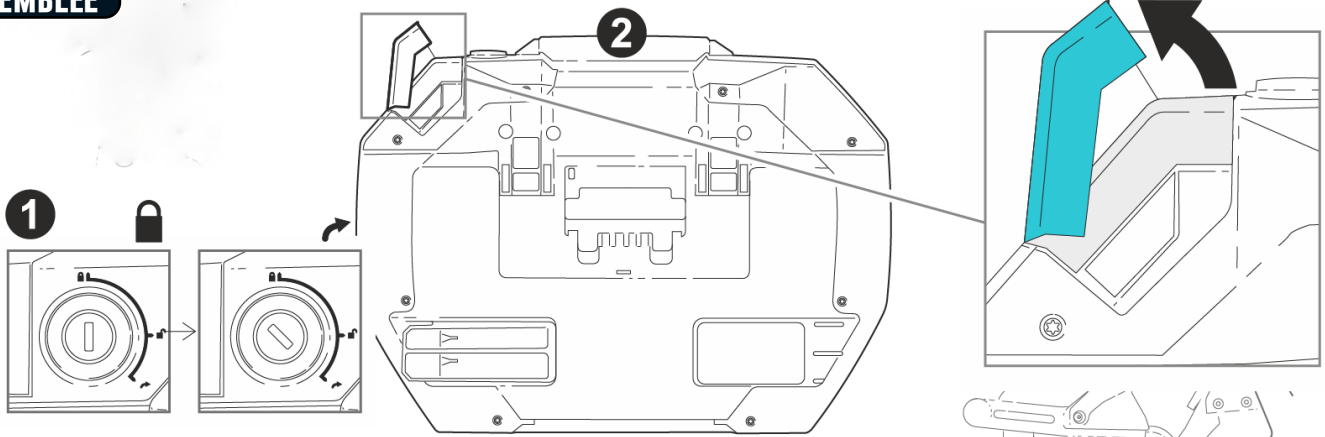
5



**WARNING!**

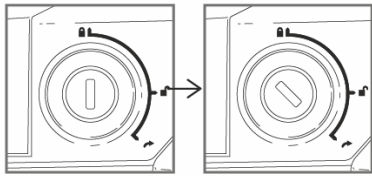
4



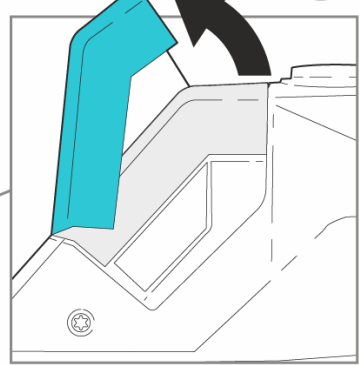


**WARNING!**

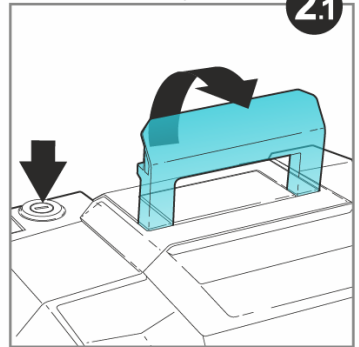
1



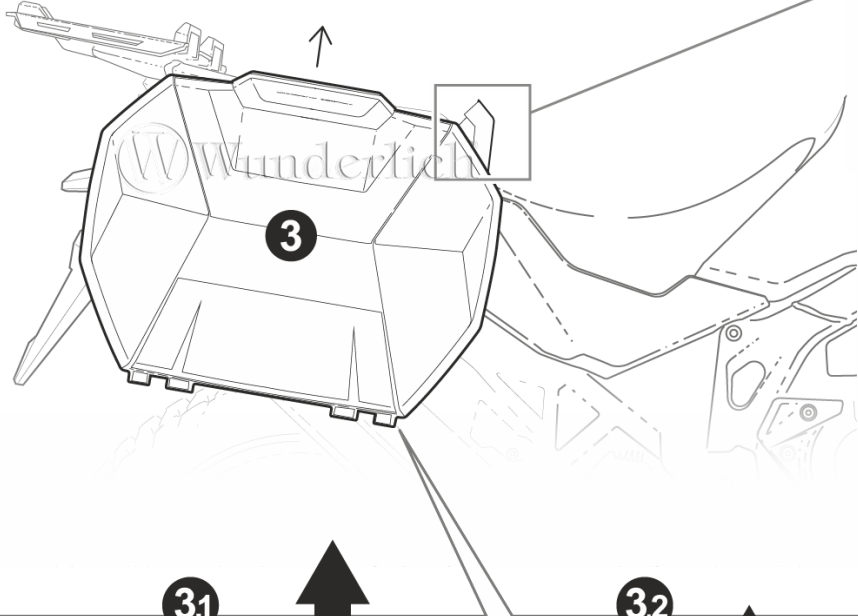
2



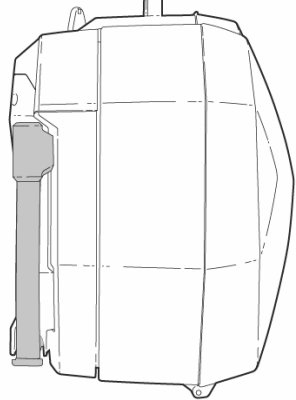
2.1



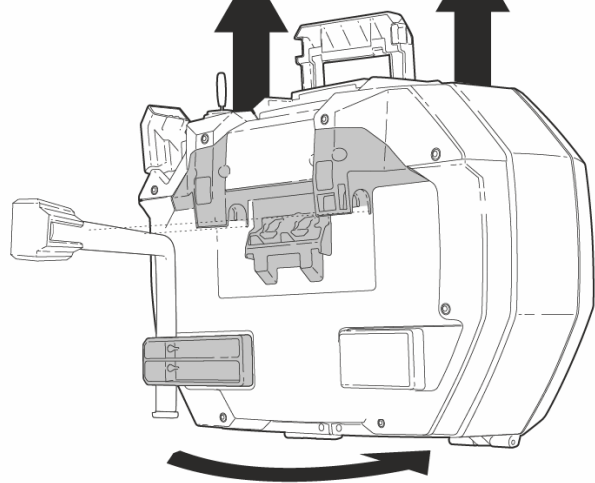
3



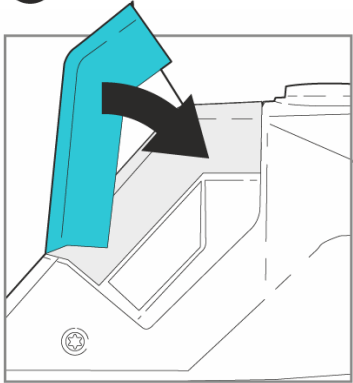
3.1



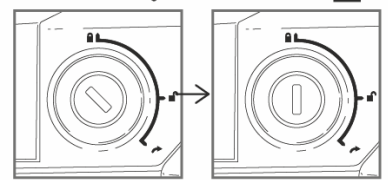
3.2



4



5



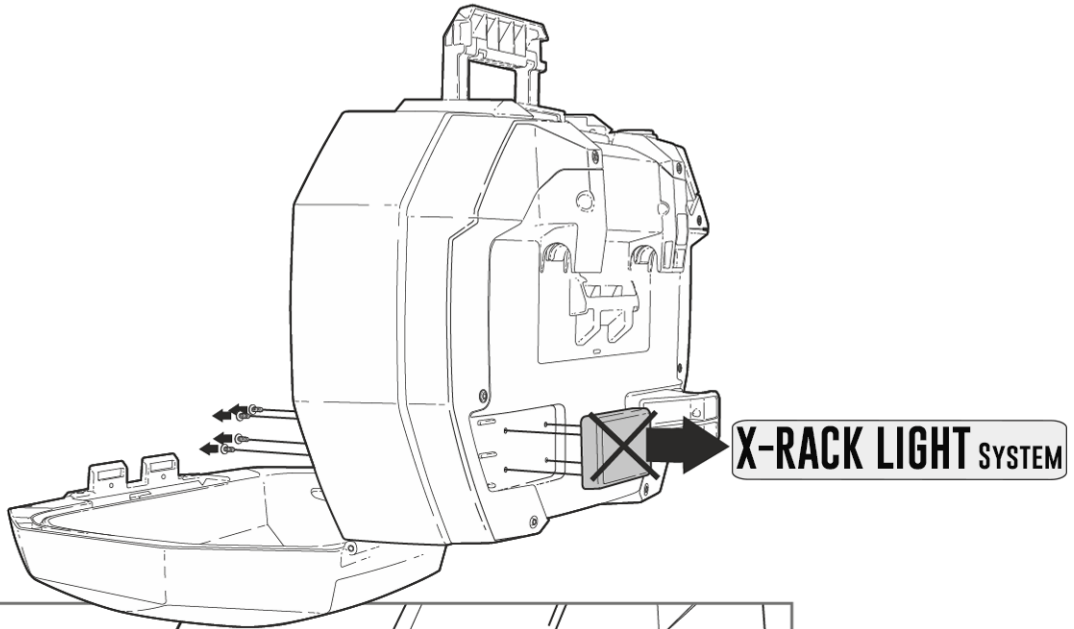
**WARNING!**

# ADAPTER VARIOKOFFER X30 AUF X-RACK

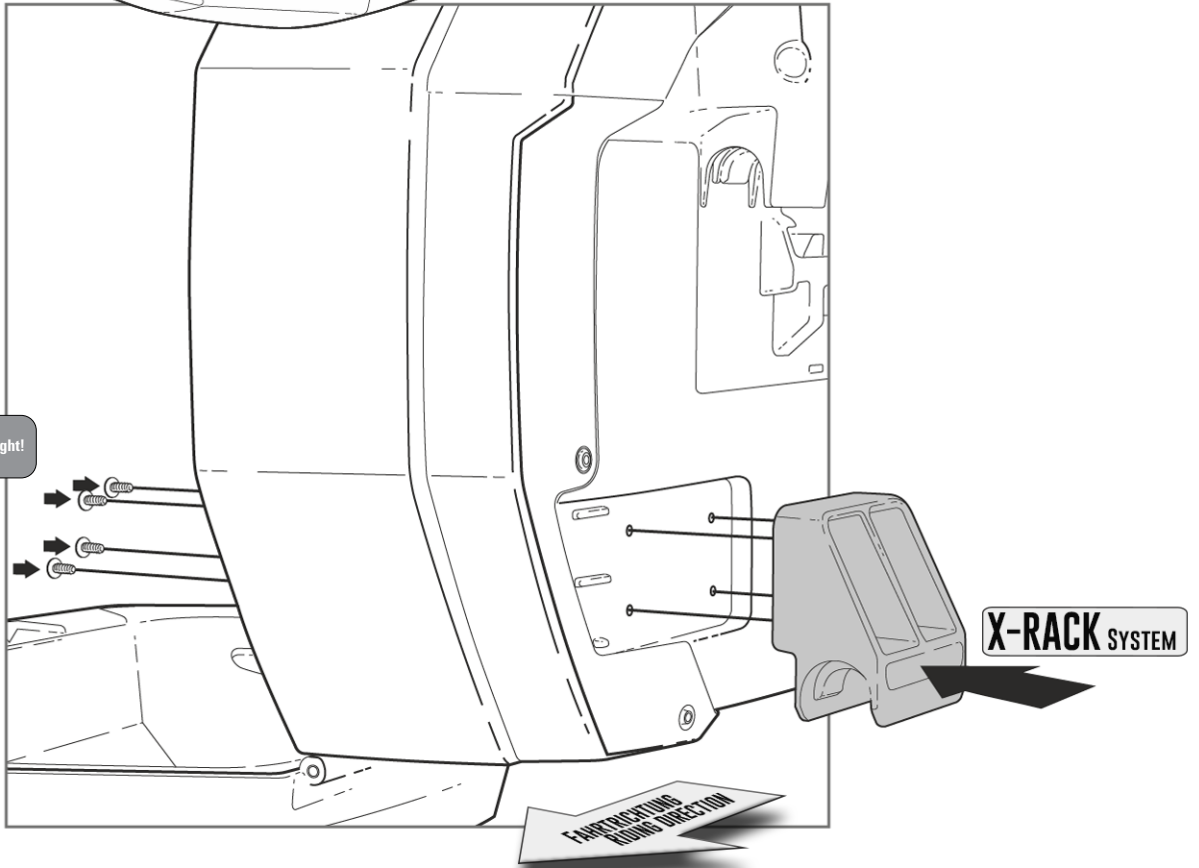
Adapter Variocase x30 to X-Rack | Adaptateur Variocase x30 à X-Rack | Adaptador Variocase x30 a X-Rack | Adattatore Variocase x30 a X-Rack

Art.-Nr: **30187-002**

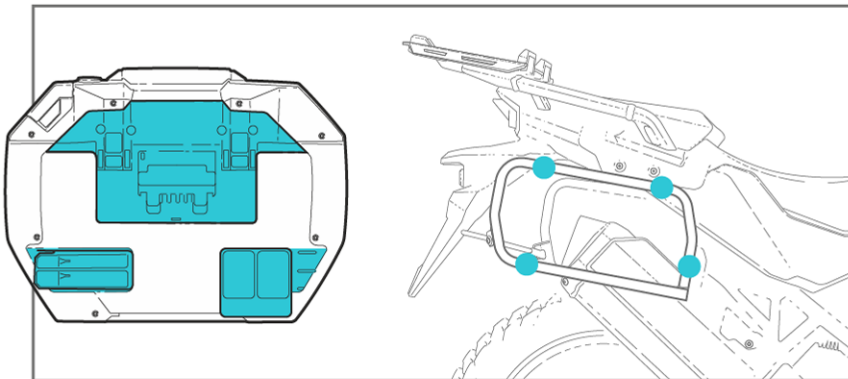




KST-Schrauben handfest anziehen!  
 Only tighten the KST screws hand-tight!  
 Ne serrer les vis KST qu'à la main!



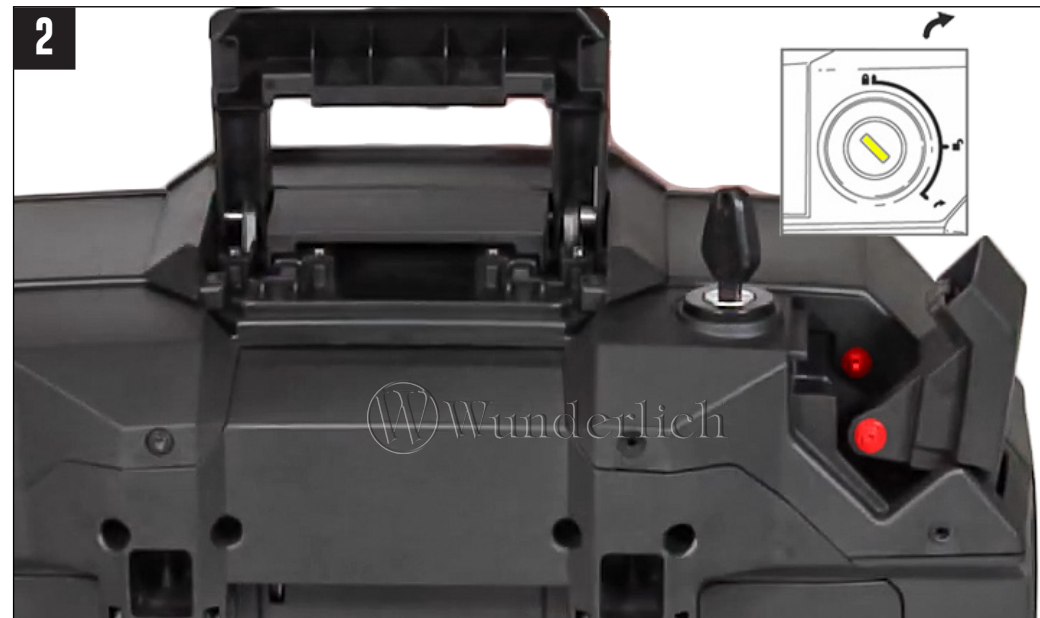
**X-RACK SYSTEM**



# SCHLIEßZYLINDER IN X-CASE X30 EINBAUEN

Install the lock cylinder in X-Case X30 | Installer le cylindre de fermeture dans le X-Case x30 | Instalar cilindro de cierre en X-Case x30 | Installare il cilindro di chiusura in X-Case x30

Art.-Nr: 30164-200





**7**

Bitte codieren Sie erst das Schloss, bevor es eingebaut wird.  
Please code the lock before installing it.  
Veuillez coder la serrure avant de l'installer.

A

B

C

D

E

F

SPERRPLATTE stop plate / lap

SCHLIEßPLATTE strike plate



