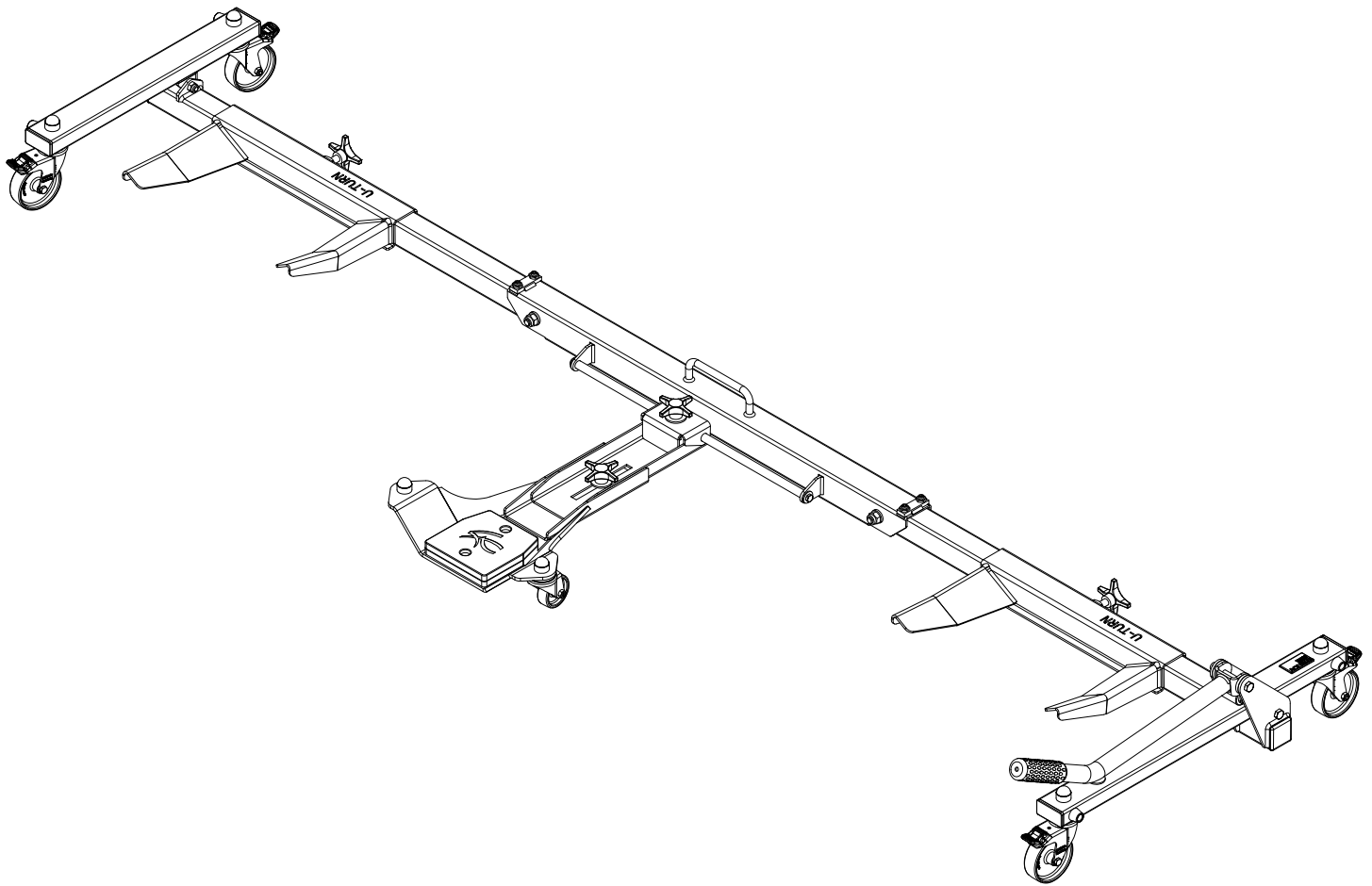


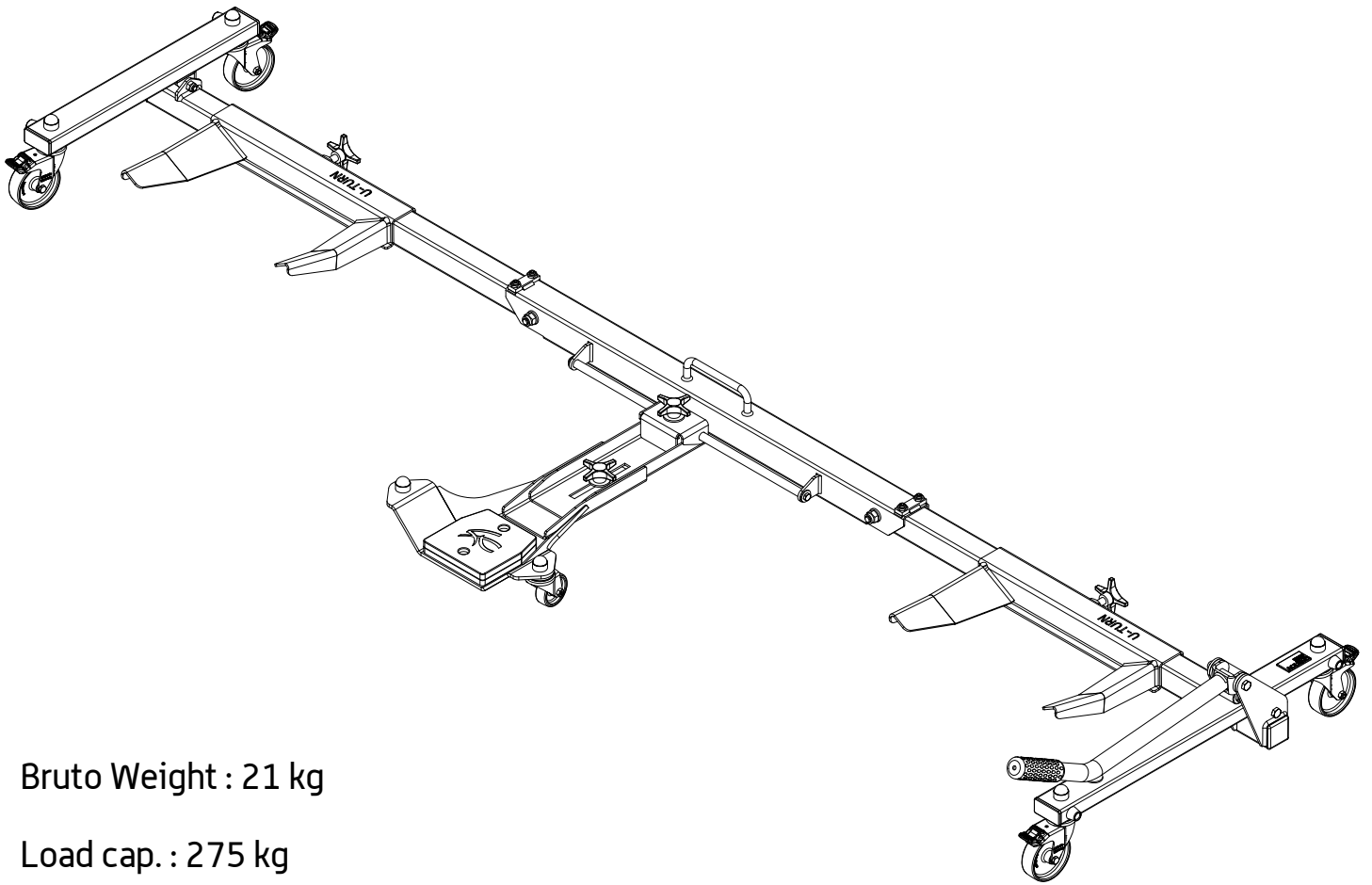
U-TURN MOTORMOVER



ENG: Please understand, that AceBikes cannot be held responsible for any consequential loss or damage due to an improper assembly or use of the product.

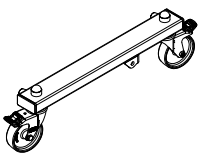
DE: Bitte, haben Sie Verständnis dafür, dass AceBikes keine Haftung für Folgeschaden übernimmt, die durch eine unsachgemäße beziehungsweise mangelhafte Montage entstehen.

FR: Veuillez comprendre que AceBikes ne peut être tenu pour responsable des dommages consécutifs à un montage ou une utilisation incorrecte.

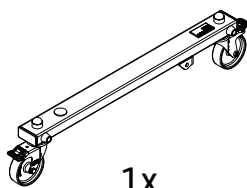


Bruto Weight : 21 kg

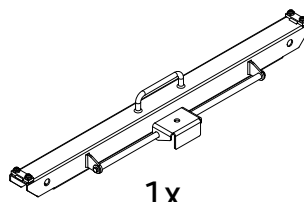
Load cap. : 275 kg



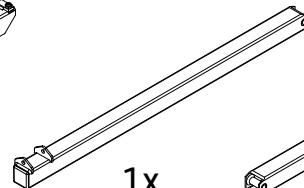
1x



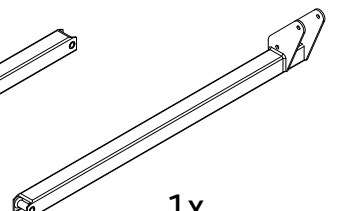
1x



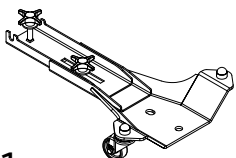
1x



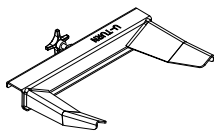
1x



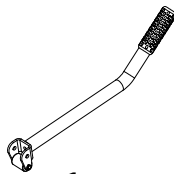
1x



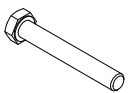
1x



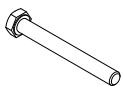
2x



1x



2x



3x



2x



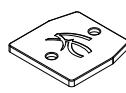
3x



4x



2x

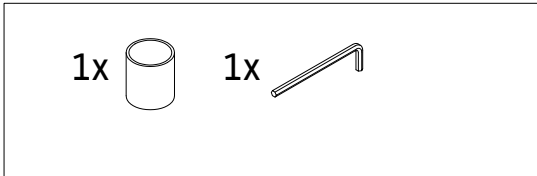


2x

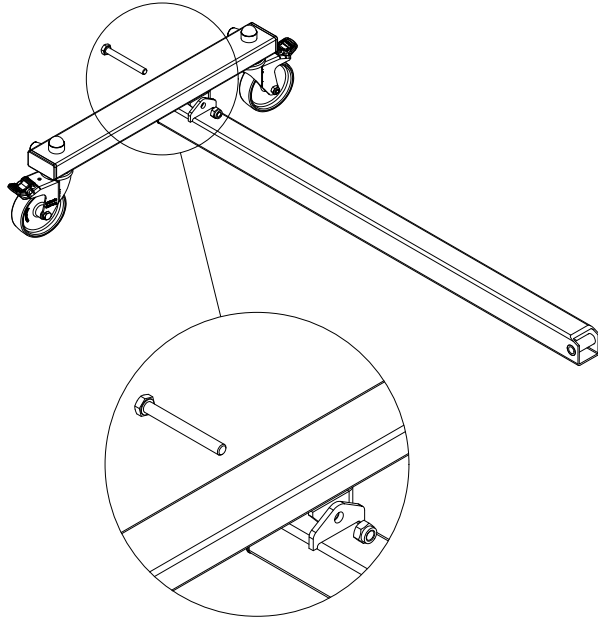
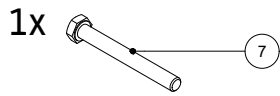
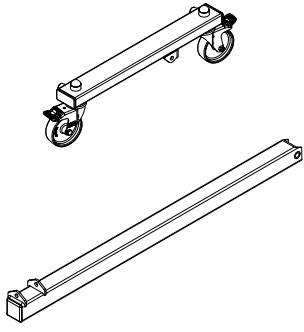
1x



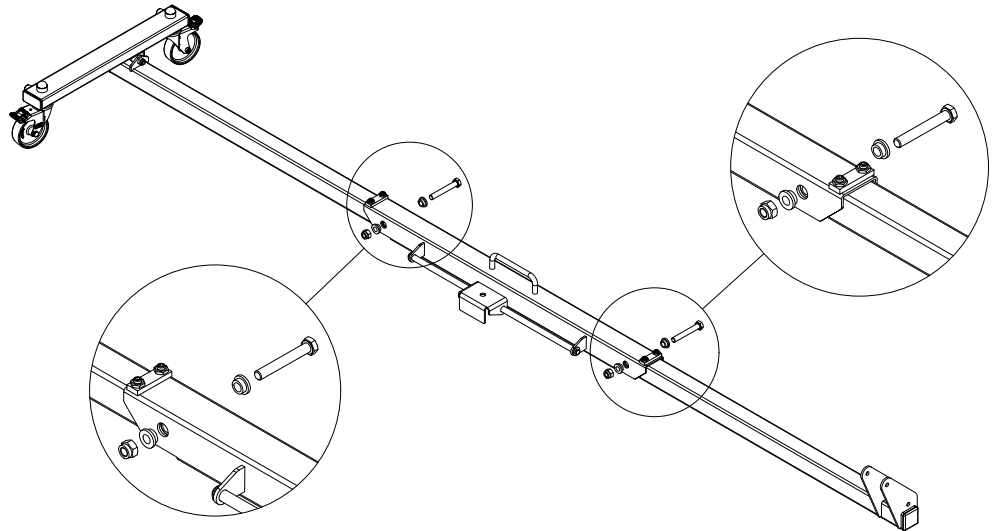
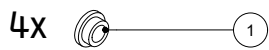
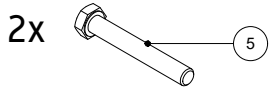
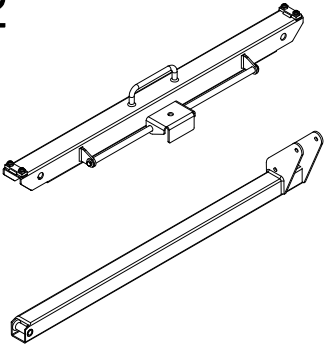
1x



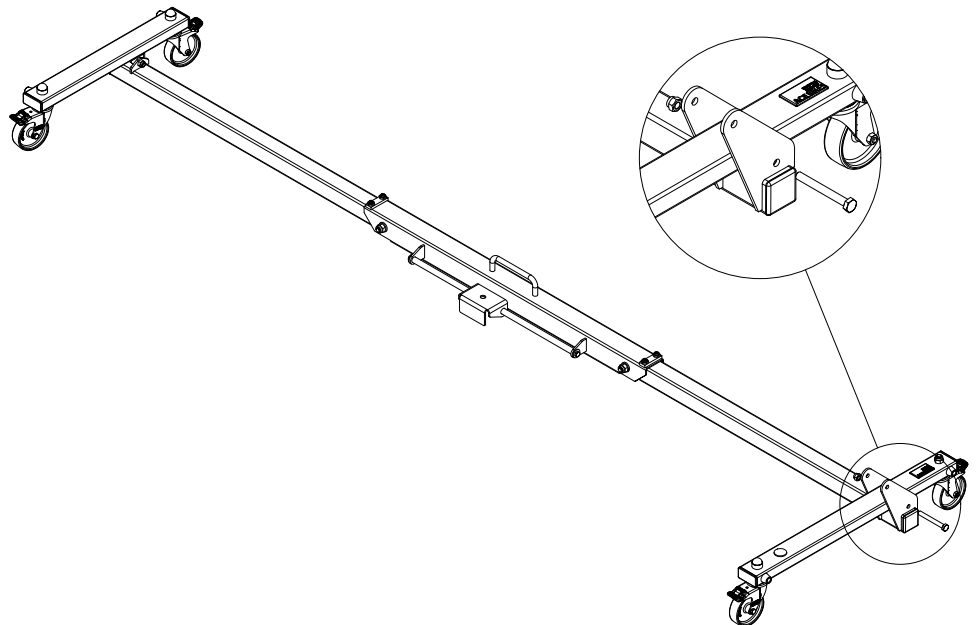
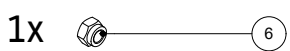
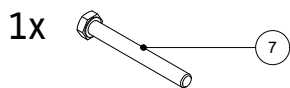
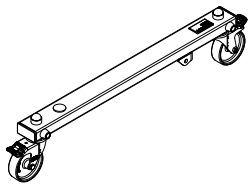
1



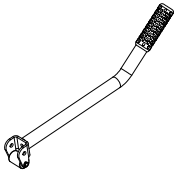
2





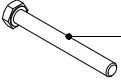
3



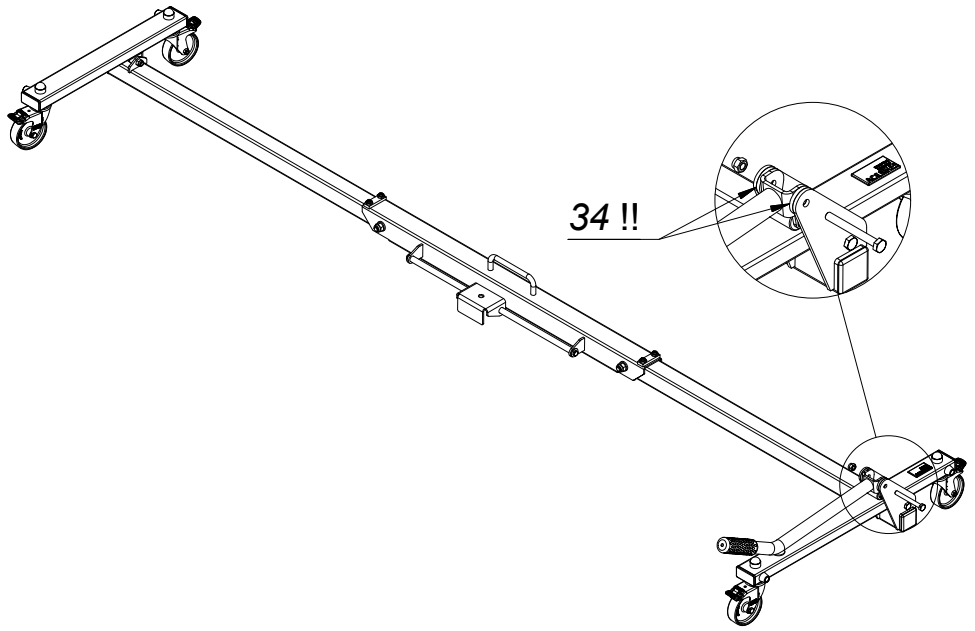
4



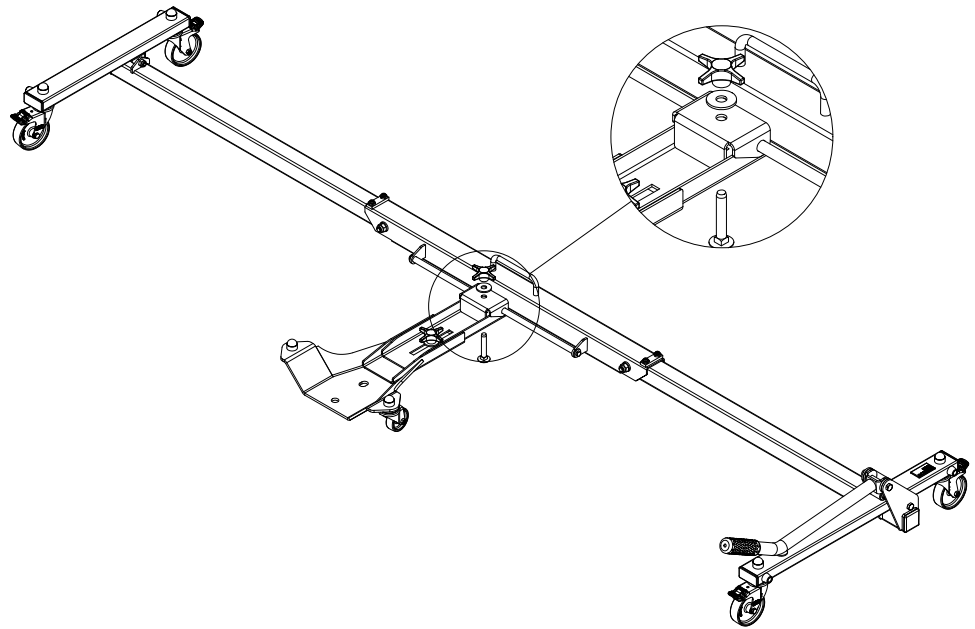
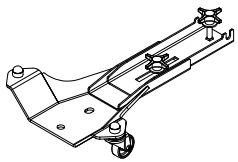
2x   34

1x  7

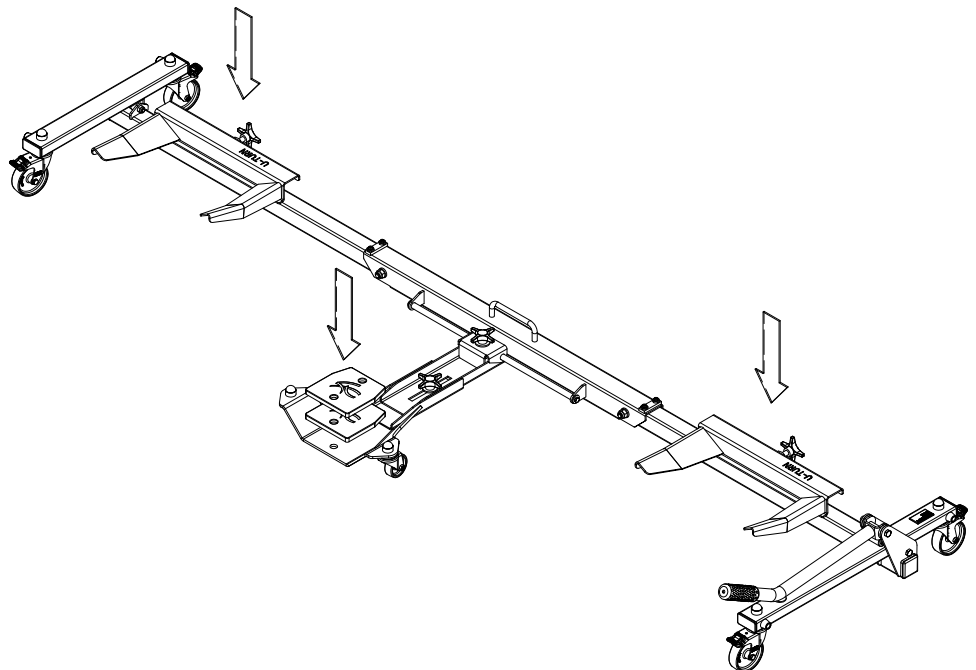
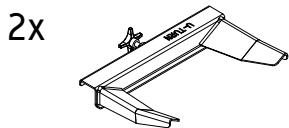
1x  6



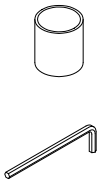
5



6

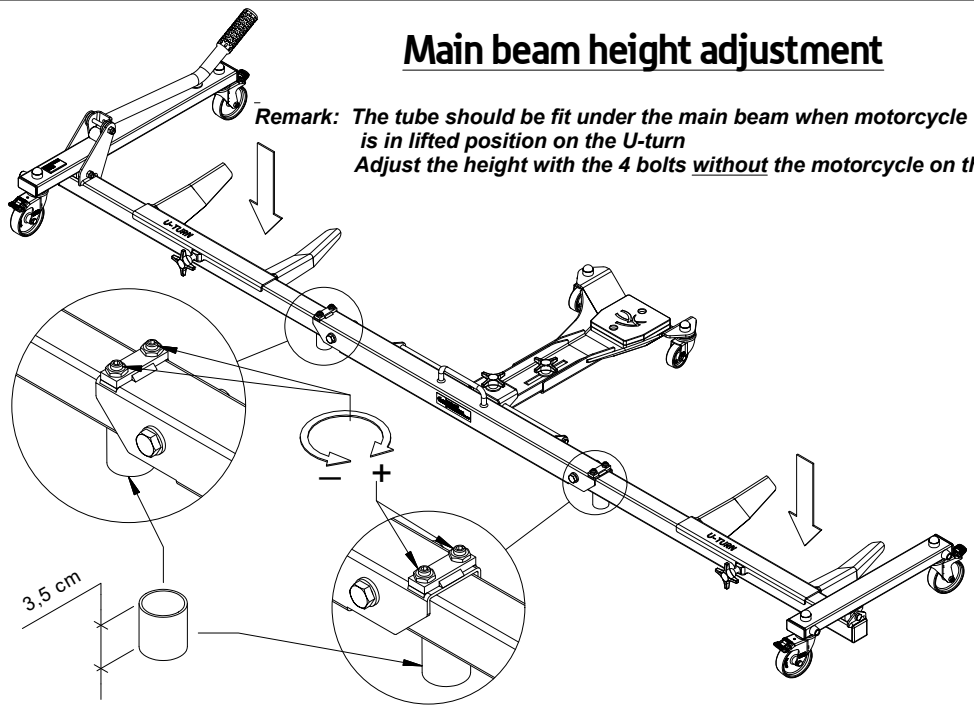


7



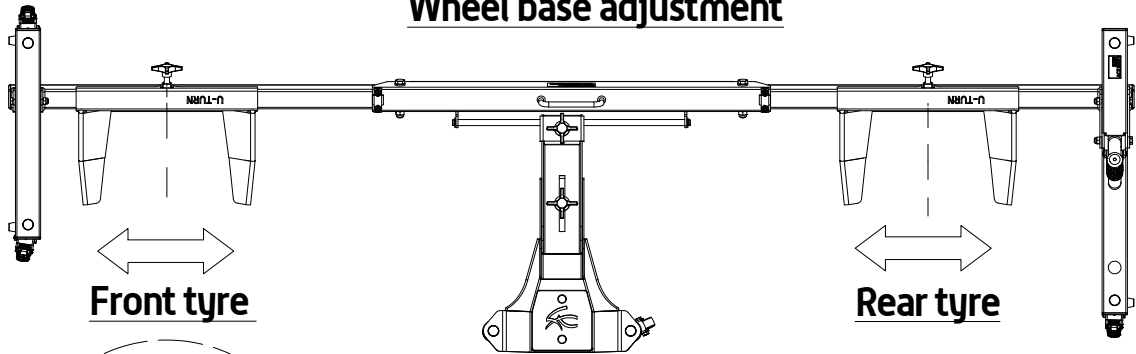
Main beam height adjustment

*Remark: The tube should be fit under the main beam when motorcycle is in lifted position on the U-turn
Adjust the height with the 4 bolts without the motorcycle on the U-turn.*

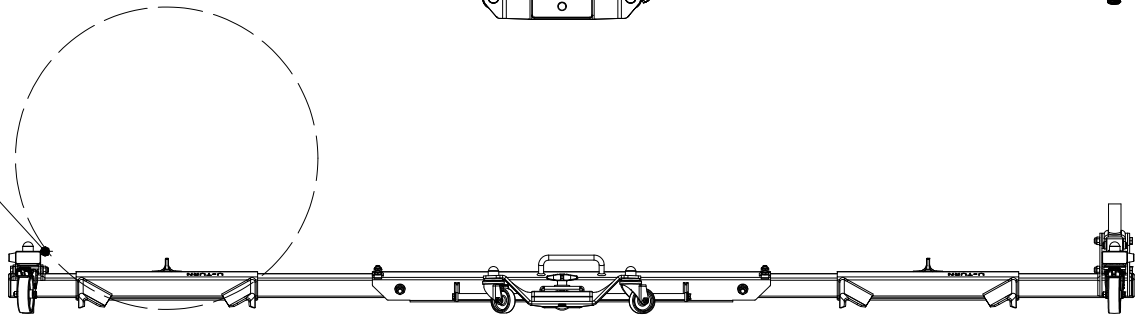


8

Wheel base adjustment

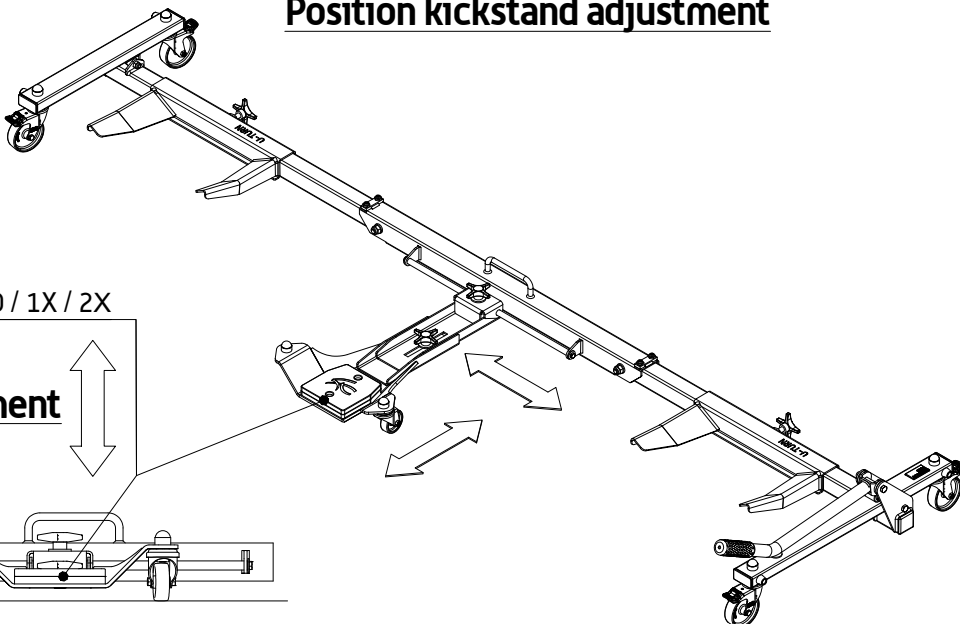


+/- 1 cm



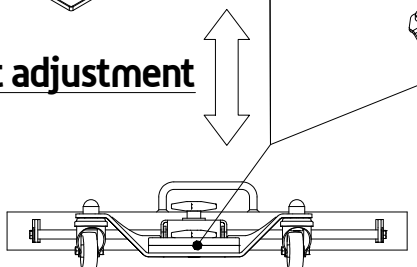
9

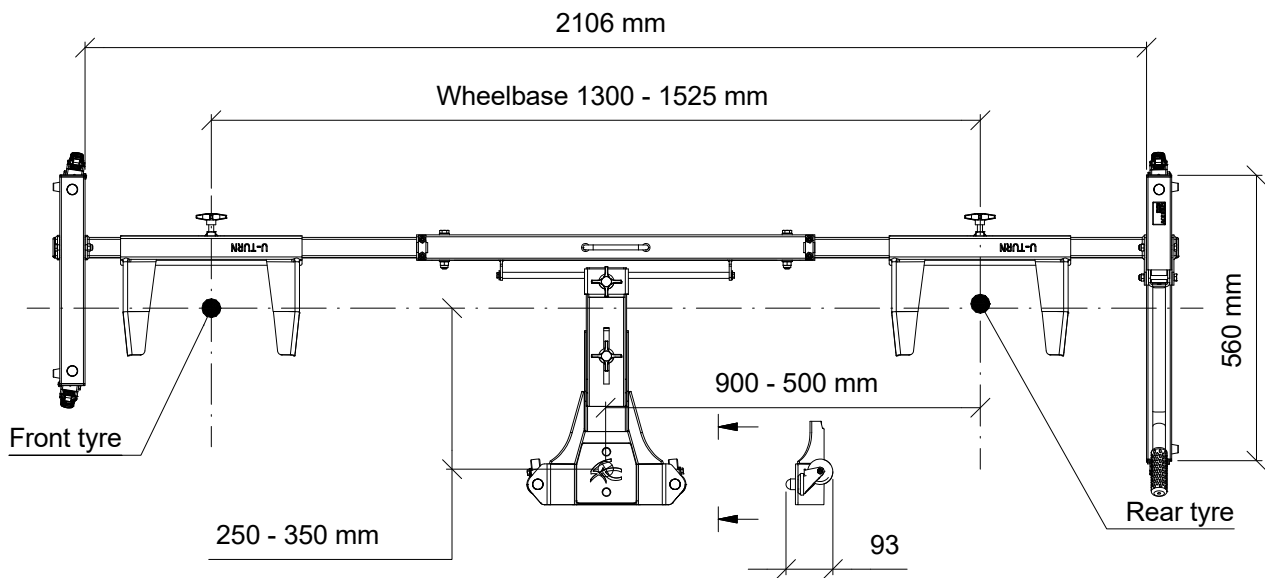
Position kickstand adjustment



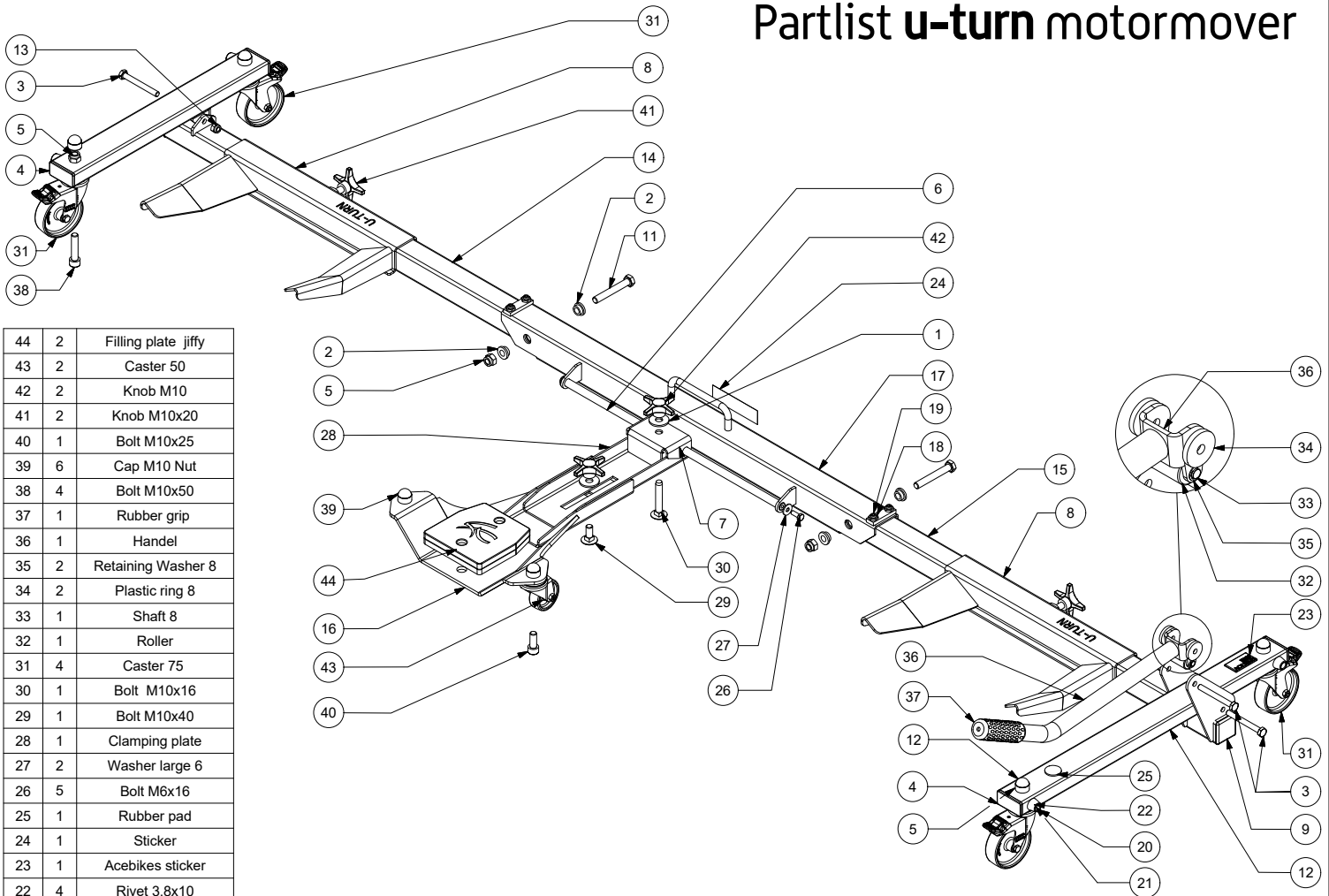
0 / 1X / 2X

Height adjustment





Partlist u-turn motormover



44	2	Filling plate jiffy
43	2	Caster 50
42	2	Knob M10
41	2	Knob M10x20
40	1	Bolt M10x25
39	6	Cap M10 Nut
38	4	Bolt M10x50
37	1	Rubber grip
36	1	Handel
35	2	Retaining Washer 8
34	2	Plastic ring 8
33	1	Shaft 8
32	1	Roller
31	4	Caster 75
30	1	Bolt M10x16
29	1	Bolt M10x40
28	1	Clamping plate
27	2	Washer large 6
26	5	Bolt M6x16
25	1	Rubber pad
24	1	Sticker
23	1	Acebikes sticker
22	4	Rivet 3.8x10
21	4	Ring
20	4	Buffer
19	4	Set Screw M8
18	4	low Hex Nut M8
17	1	Middle frame
16	1	Jiffy support
15	1	Frame part R
14	1	Frame part L
13	3	Nut M8
12	1	Caster frame R
11	2	Bolt M10x70
10	1	Caster frame L
9	2	Cap 40
8	2	Wheel support
Item	Qty	Description

7	1	Clamp plate
6	1	Axle 12
5	8	Nut M10
4	4	Cap 50x25
3	3	Bolt M8x70
2	4	Washer special
1	2	Washer large 10
Item	Qty	Description