

Railing for original BMW top case for BMW K1600 GTL

powered by

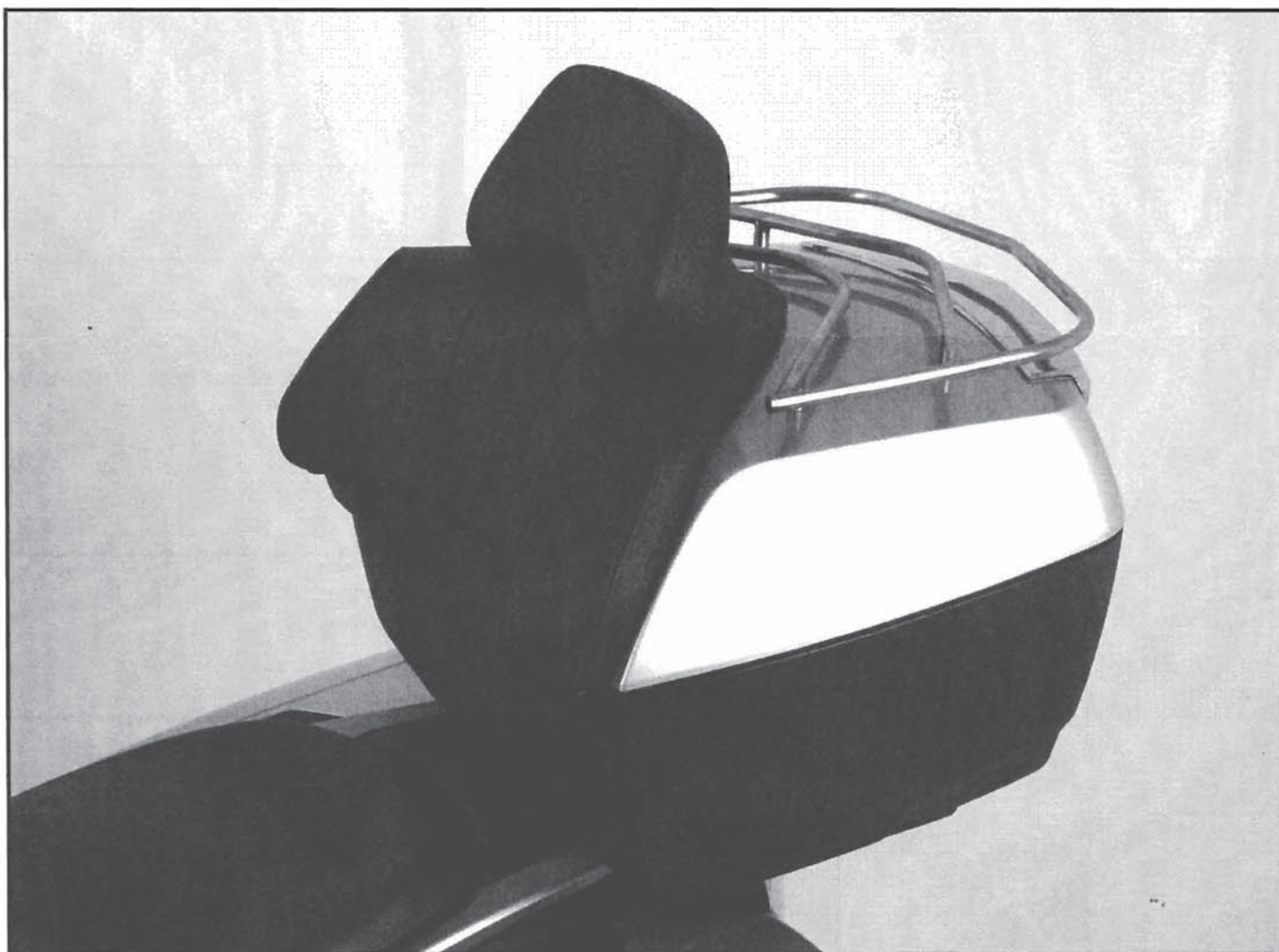
No.: 610.094 00 02 chrome/610.094 00 01 black

Assembling instructions

The kit includes the following parts:

Quant	description	
1	Railing	4 rubber washer Ø15xØ7x3
4	Hexagon screw M6 x 18	4 Plastic washer ø 6,4 x ø18 x 1,5 mm
4	Plastic cap M6 x 25	

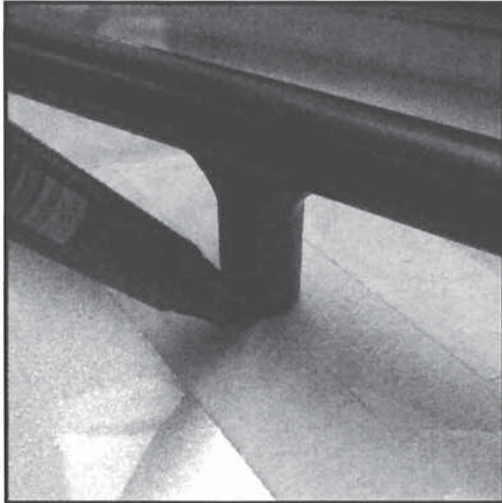
Maximum load 10kg!



Railing for original BMW top case for BMW K1600 GTL
No.: 610.094 00 02 chrome/610.094 00 01 black

powered by

Assembling instructions



1

Preparing:

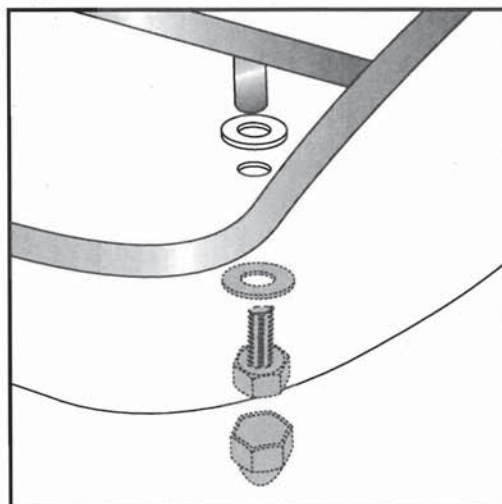
Protect the bearing surfaces of the rails with masking tape over a large area. Position the rail on the Topcase as desired. Mark the positions of the feet with a soft felt-tip pen or similar. Remove the rails and drill in the middle of the marks with a small drill (\varnothing 3mm).



2

Control drilling position and rework, if necessary. Drill holes on \varnothing 7mm and remove the masking tape.

Before installing, control the threads in the feet to be free of dirt, if necessary with the enclosed screws.



3

Fastening of the railing front:

Put the railing on the top case cover over the borings. Sandwich the rubber washers \varnothing 7 x \varnothing 15 x 3 mm. Inside top case cover use the hexagon screw M6 x 20 with plastic washers \varnothing 18x \varnothing 7x1,5. Put plastic caps on the screws head.

Do not overtighten fasteners! The screws only need to be hand tightened. Thread locking fluid recommended.

