



SN.

Dr. Jekyll & Mr. Hyde®

THE EXHAUST

MANUAL : BMW® | SMARTBOX 2

**NEW IN THIS MANUAL:
- THREADLOCKER ADDED**

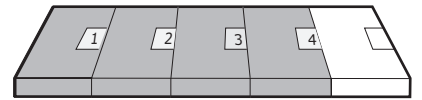


R18
2020->

Instruction
video



1 BMW R18 - Beat Short Smartbox 2



1 Assembly Kit

- PC 2x
- BR 1x
- W1 9x
- B1 1x
- B2 8x
- TR 16x
- N1 8x

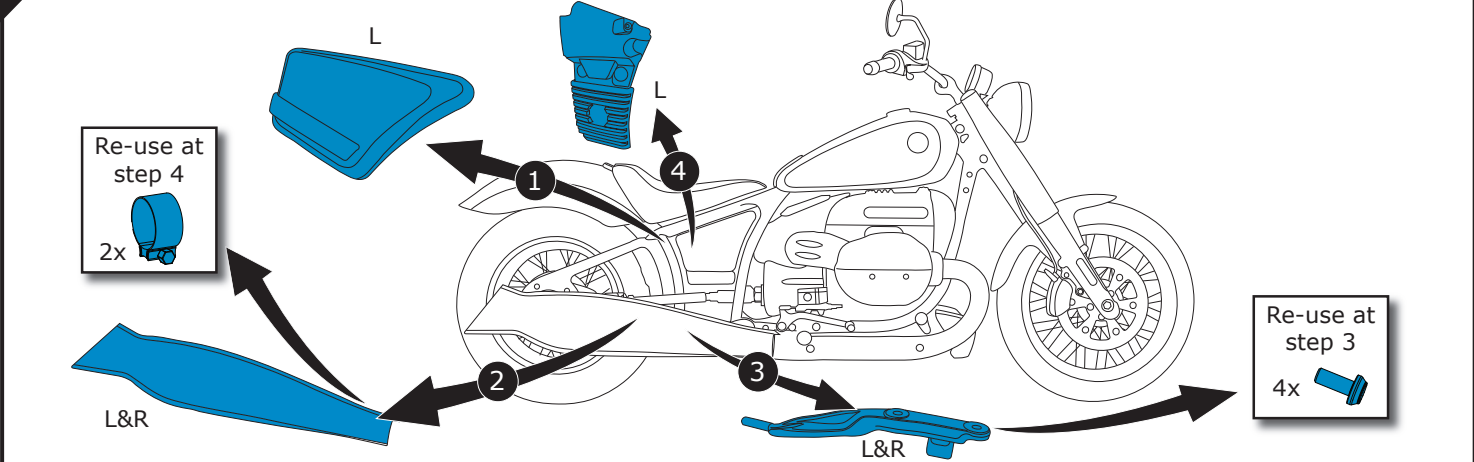
2 Smartbox 2

3 Mode Switch for Smartbox

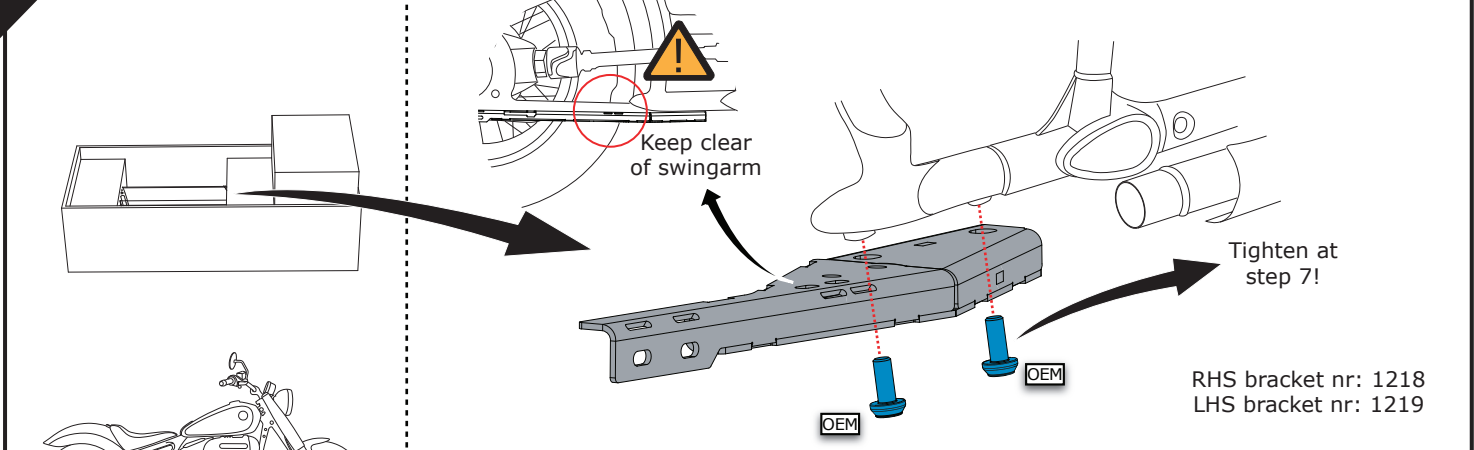
4 Smartbox Control Cable

Exhaust/Cable /Servo System

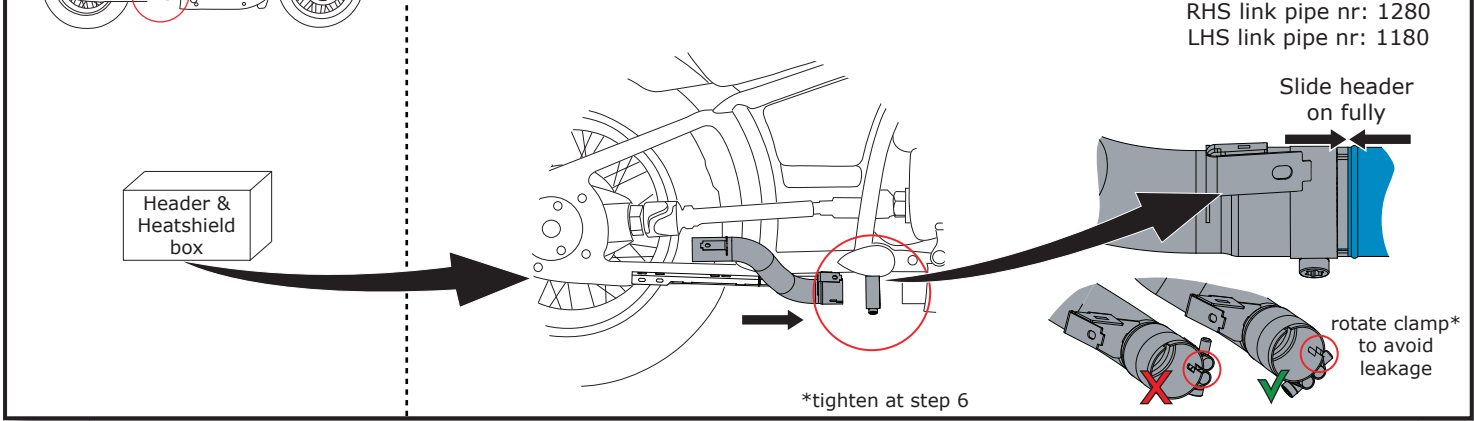
2 **⚠ OEM components may vary per R18 model**



3 **Install bracket left & right**



Install link pipe left & right

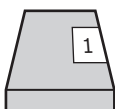
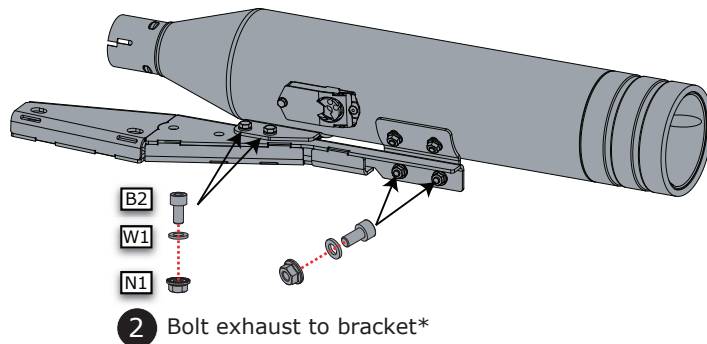
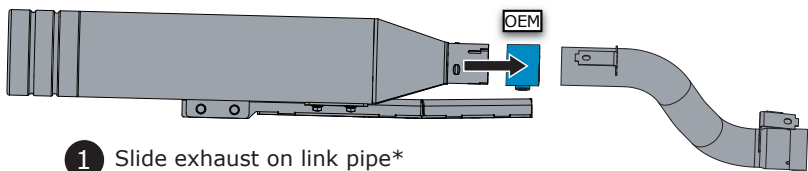


4

Install exhausts left & right

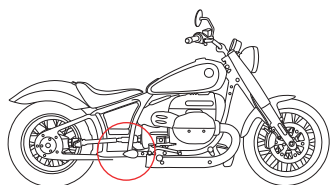
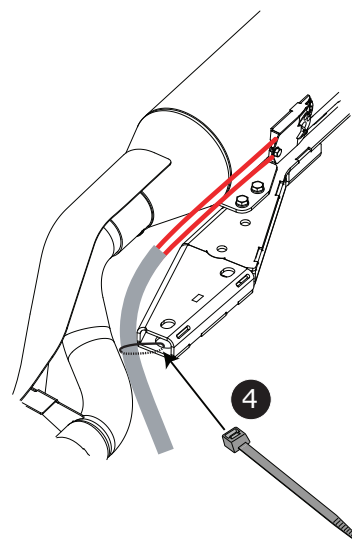
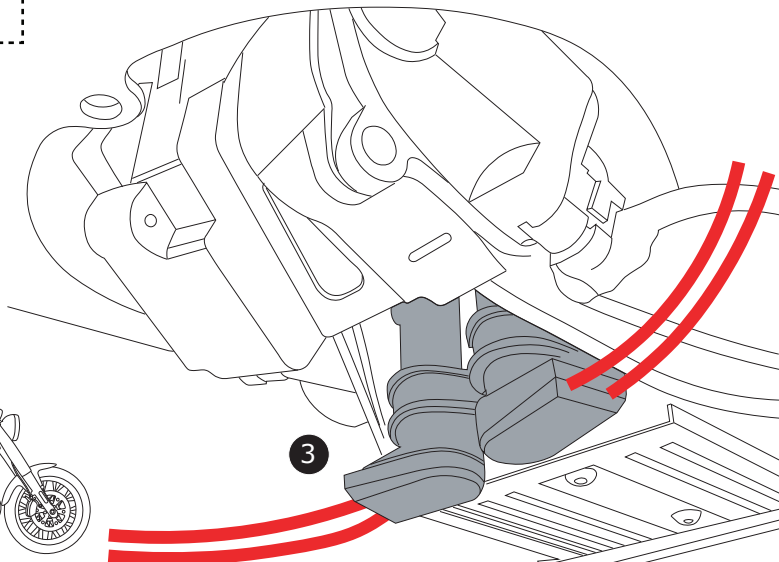
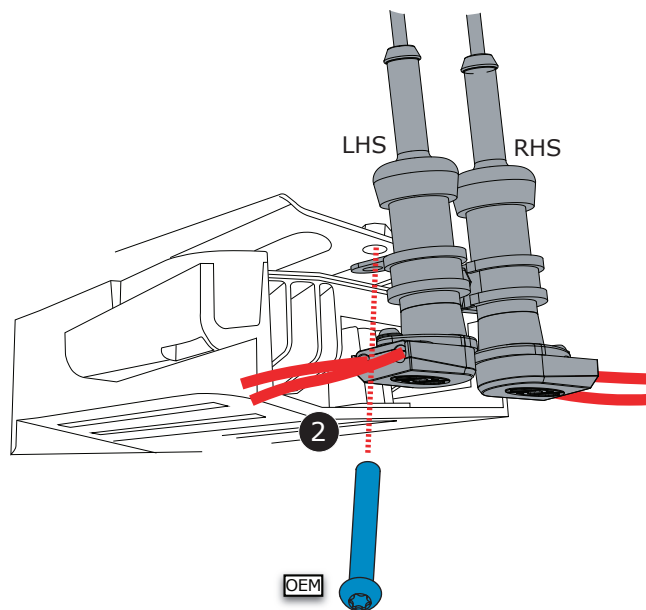
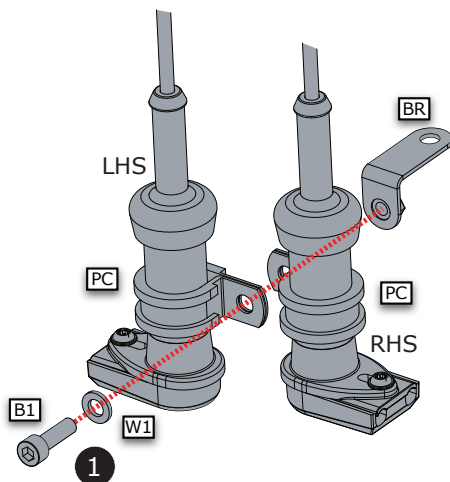
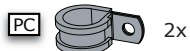
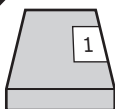


*Tighten bolts & clamps at step 6

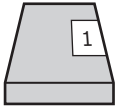


5

Servo motor positioning

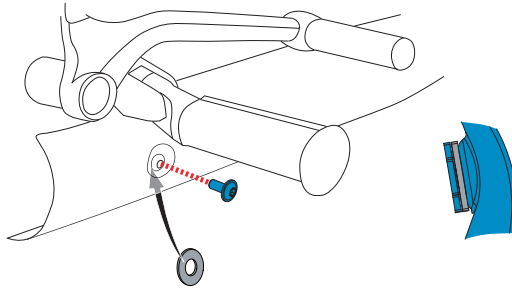


Install heat shields left & right

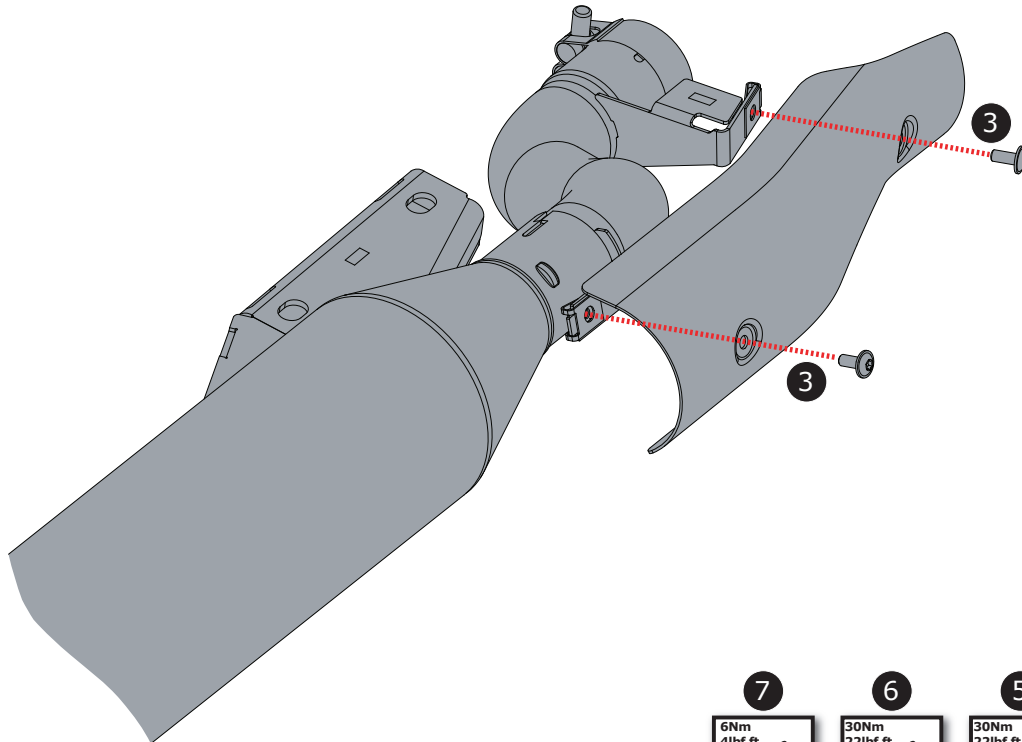
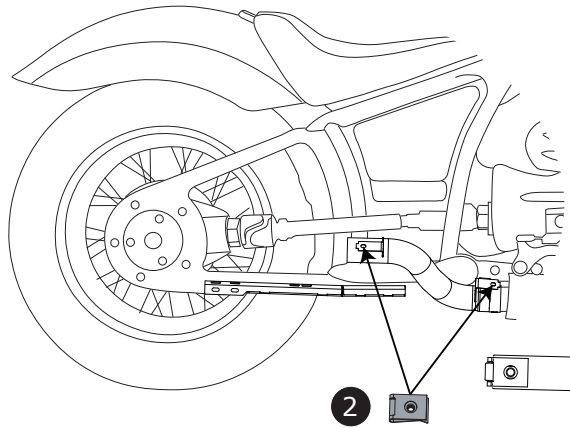


+

Header & Heatshield box



1 place red washer behind OEM heatshield to improve position



- 7**

6Nm
4lbf ft

300 km
186 mi

4x
- 6**

30Nm
22lbf ft

300 km
186 mi

2x
- 5**

30Nm
22lbf ft

300 km
186 mi

2x
- 4**

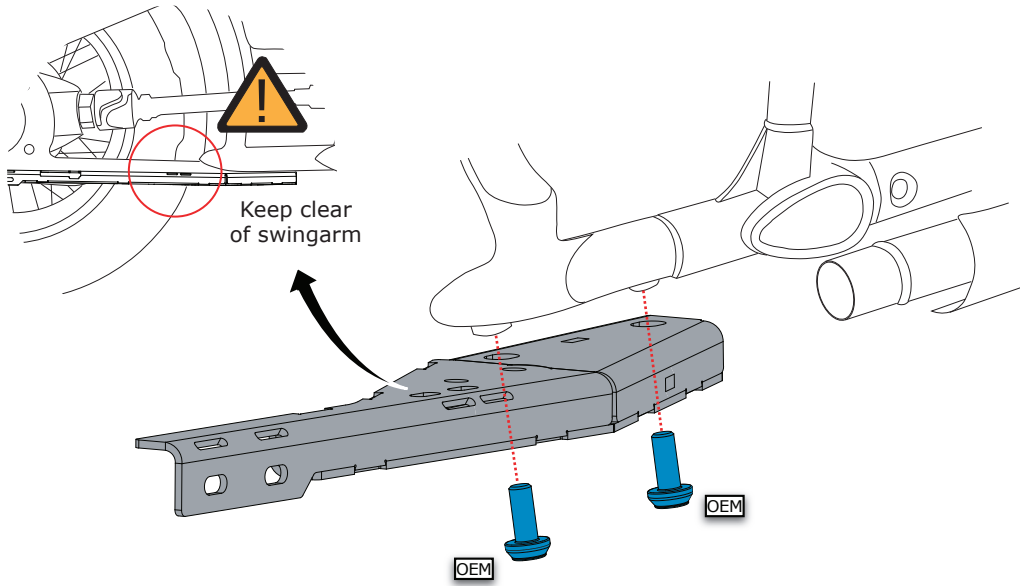
10Nm
7lbf ft

300 km
186 mi

8x

7

1-by-1: loosen OEM bolt, apply threadlocker, reinstall and tighten bolt



Threadlocker

For example
Loctite 266

4x

RHS bracket nr: 1216
LHS bracket nr: 1217

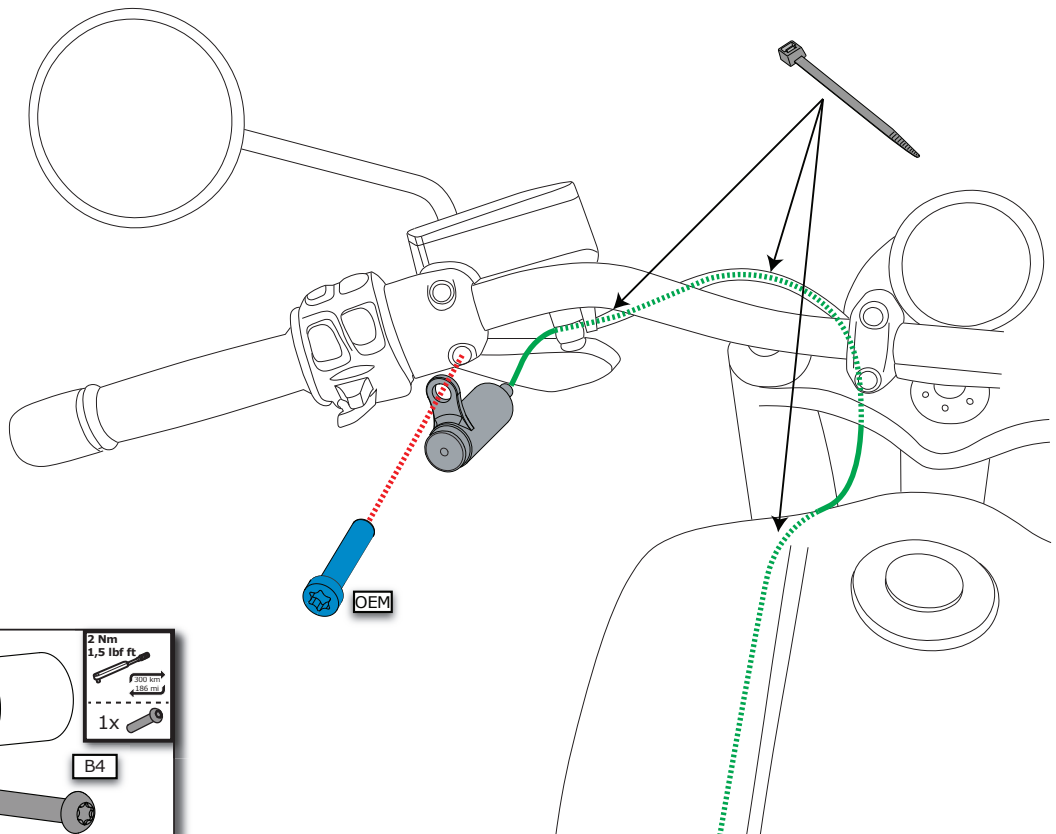
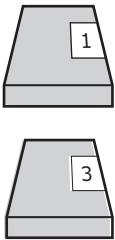
**55Nm
40lbf ft**

300 km
186 mi

4x

8

Install modeswitch & cable routing

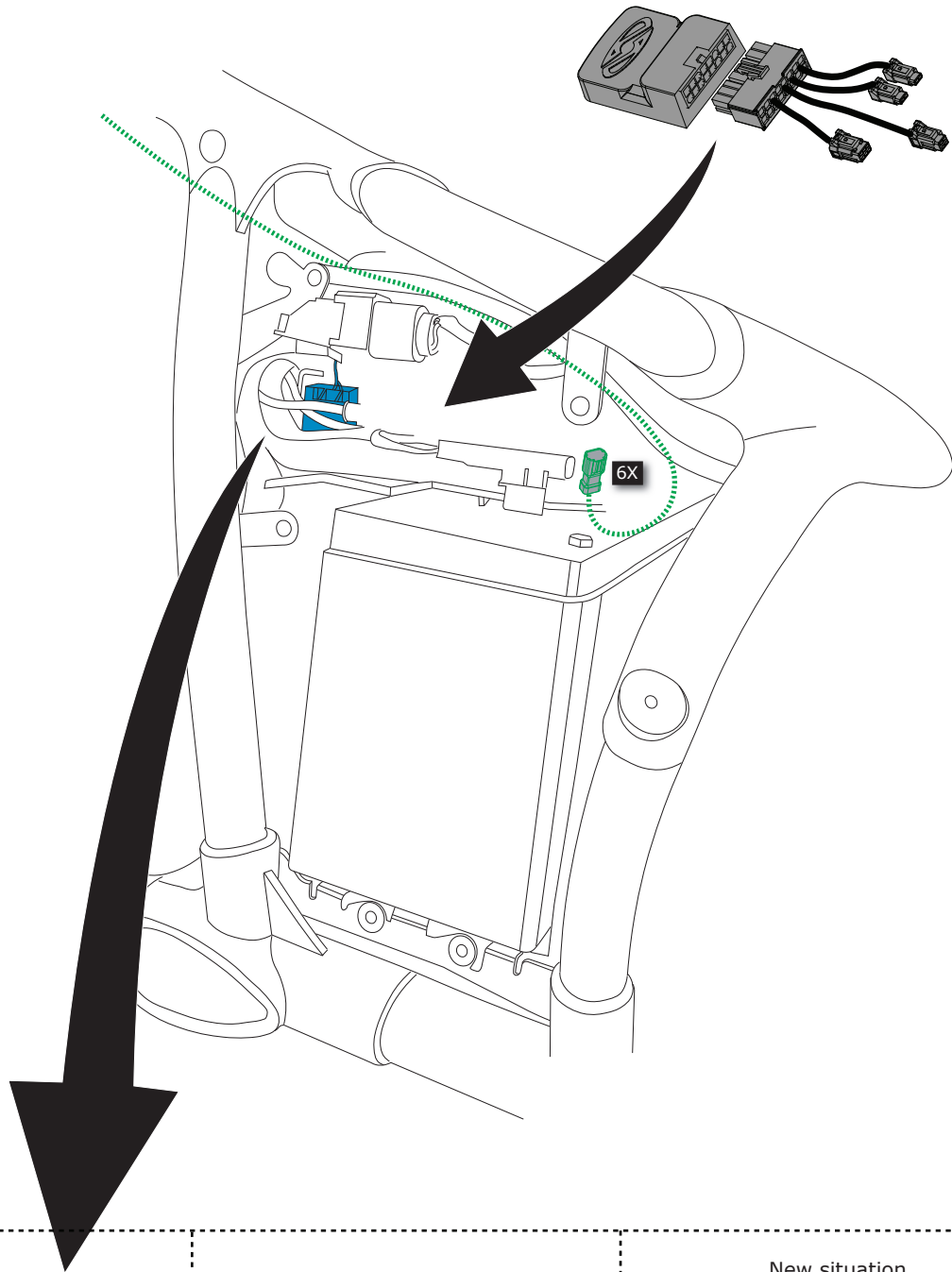
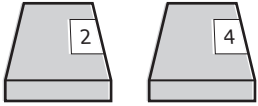


Option 2

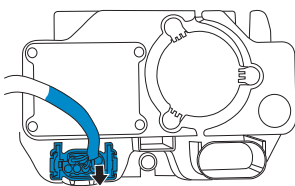
2 Nm
1,5 lbf ft

1x

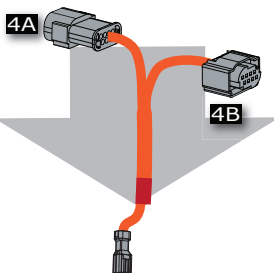
B4



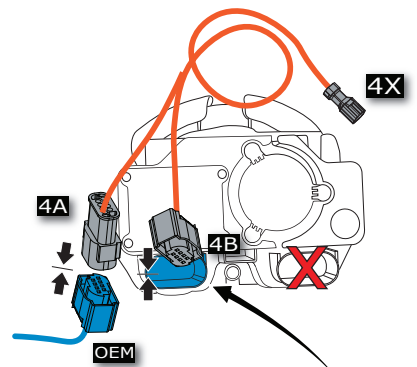
Current situation



Connect control cable



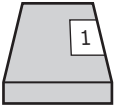
New situation



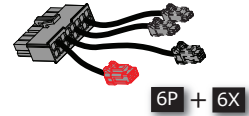
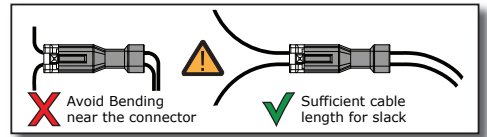
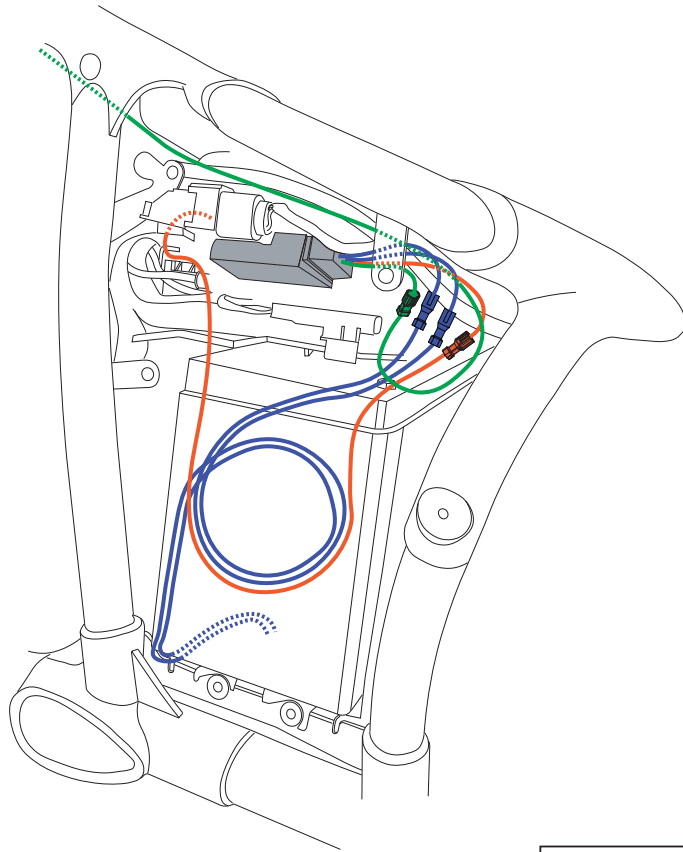
Always connect **4B**

10

Cable routing & connecting smartbox

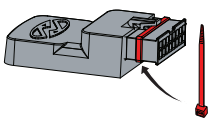


TR 3x

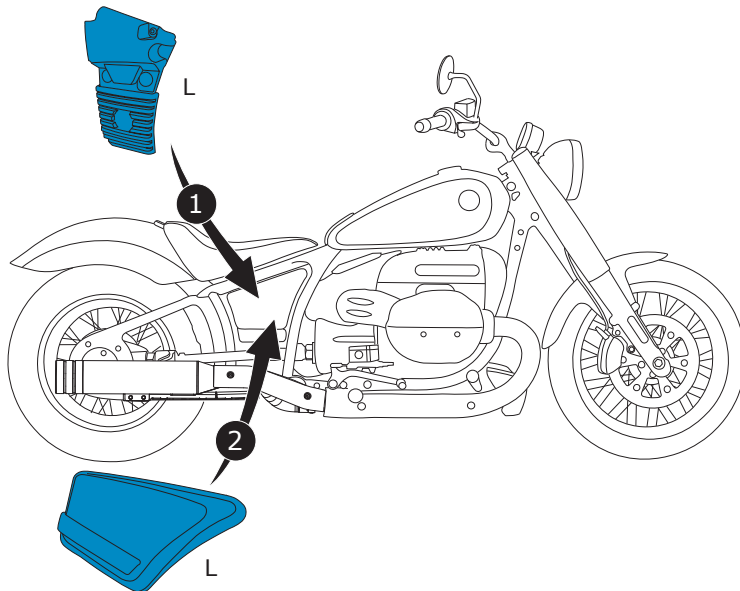


11

Complete System Check!

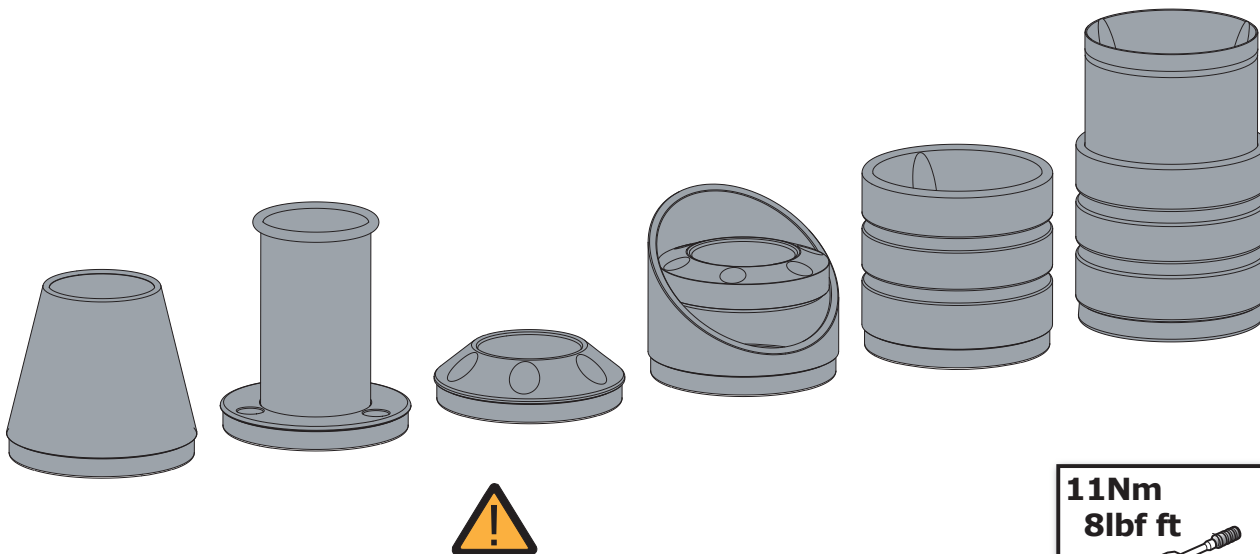


Reminder:
Tighten all bolts & nuts



End Cap Torque Tightening Manual

1



Check that the end cap screws are tight and **tighten** them if **necessary**:

- 300 km after the initial installation of the exhaust
- During every service interval

(applicable to all endcap models)

11Nm
8lbf ft

300 km
186 mi

6x

A box containing torque specifications and service intervals. It shows a torque wrench and two arrows indicating intervals of 300 km and 186 mi. Below a dashed line, it specifies '6x' and shows a single end cap screw.

DR-101069-01